

A modern cabinet with a grid of doors in red and white glossy finishes. A glass shelf is extended from the middle. The number '5' is printed in large white font on the top right door.

5

LINEACINQUE

BRUGNOTTO®
SHOP INTERIORS

Bjørn Haug AS
Oserødmyra 2
3138 SKALLESTAD
Tlf: 33 29 99 90

www.bjornhaug.no
bjorn@bjornhaug.no

BRUGNOTTO®
SHOP INTERIORS

5

LINEACINQUE



LINEA CINQUE

Pannelli imbottiti e pannelli rigidi rivestiti, con eco-pelle altamente selezionata, possono essere utilizzati in diverse soluzioni di arredo decorativo e funzionale. I pannelli sono di varie misure: vengono posizionati a parete con un semplice e rapido sistema di montaggio.

I banchi cassa possono essere foderati con pannelli imbottiti. Mensole in legno e plexiglas, cassettiere ed accessori completano questa linea di arredo.

Questo sistema riscontra interesse non solo nei negozi di moda, ma anche nell'arredo di spazi dedicati alla ristorazione o all'intrattenimento.

LINE FIVE

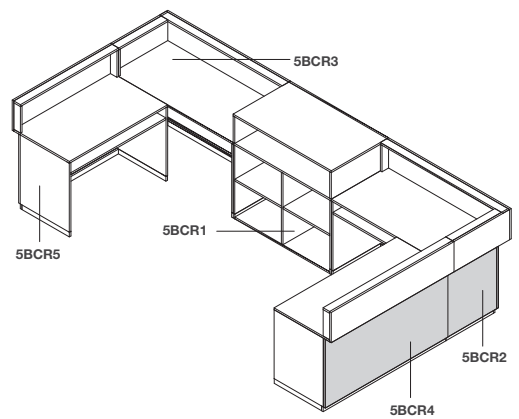
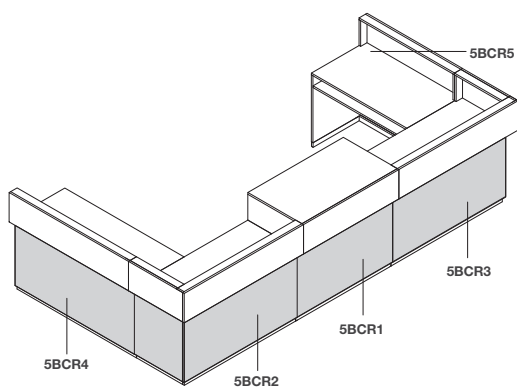
Padded or rigid covered panels in selected synthetic leathers suitable for many different furnishing solutions of both functional and ornamental use. These panels can be made of various sizes and are easy to assemble thanks to their simple wall fixing.

Cash counters can be covered by padded panels. This furniture line includes wood, plexiglass shelves, drawers units and accessories.

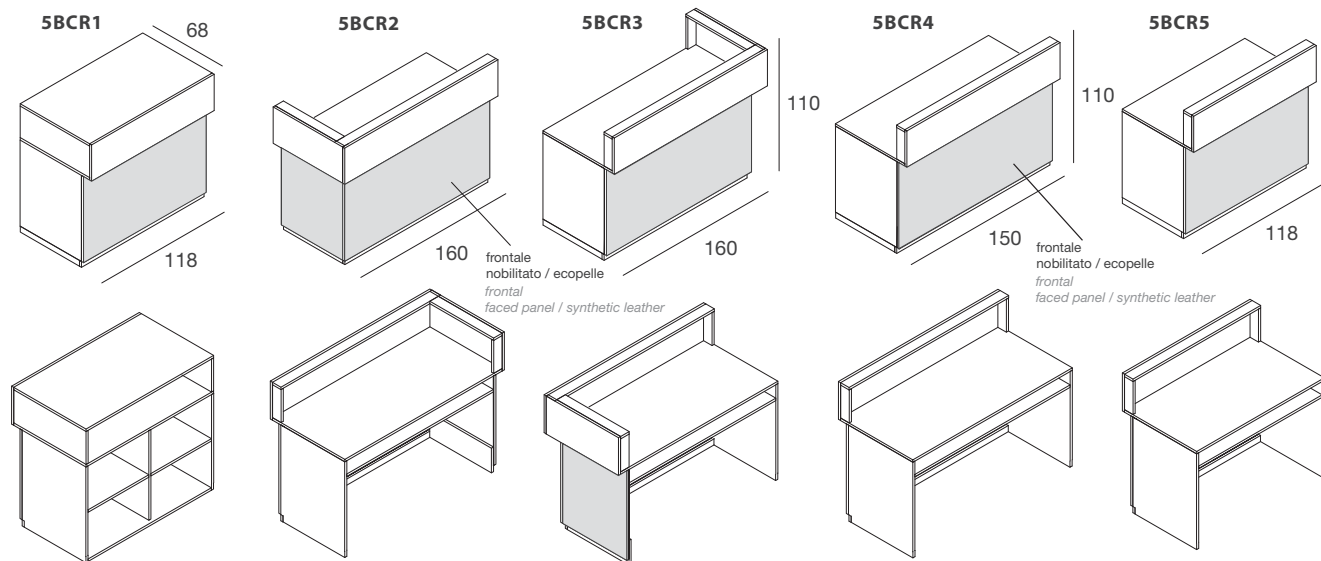
This system offers solutions both for fashion boutiques and for restaurant and entertainment areas.



FRONTALE RIGIDO
RIGID FRONTAL



BANCHI CASSA CON FRONTALE RIVESTITO
CASH COUNTERS WITH COATED FRONTAL



5BCR1/N

nobilitato
facéd panel
 L118 x P68 x H110 cm

5BCR2/N

nobilitato
facéd panel
 L160 x P68 x H110 cm

5BCR3/N

nobilitato
facéd panel
 L160 x P68 x H110 cm

5BCR4/N

nobilitato
facéd panel
 L150 x P68 x H110 cm

5BCR5/N

nobilitato
facéd panel
 L118 x P68 x H110 cm

5BCS1/NEP

nobilitato
 ecopelle st. coccodrillo
facéd panel
 synth. croc printed leather
 L118 x P68 x H110 cm

5BCR2/NEP

nobilitato
 ecopelle st. coccodrillo
facéd panel
 synth. croc printed leather
 L160 x P68 x H110 cm

5BCR3/NEP

nobilitato
 ecopelle st. coccodrillo
facéd panel
 synth. croc printed leather
 L160 x P68 x H110 cm

5BCR4/NEP

nobilitato
 ecopelle st. coccodrillo
facéd panel
 synth. croc printed leather
 L150 x P68 x H110 cm

5BCR5/NEP

nobilitato
 ecopelle st. coccodrillo
facéd panel
 synth. croc printed leather
 L118 x P68 x H110 cm

5BCS1/NEPL

nobilitato
 ecopelle st. coccodrillo lucido
facéd panel
 synth. croc printed glossy leather
 L118 x P68 x H110 cm

5BCR2/NEPL

nobilitato
 ecopelle st. coccodrillo lucido
facéd panel
 synth. croc printed glossy leather
 L160 x P68 x H110 cm

5BCR3/NEPL

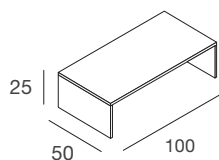
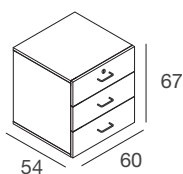
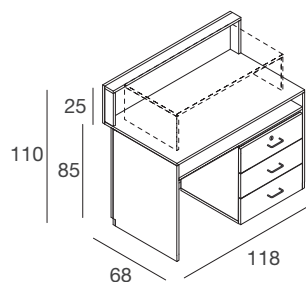
nobilitato
 ecopelle st. coccodrillo lucido
facéd panel
 synth. croc printed glossy leather
 L160 x P68 x H110 cm

5BCR4/NEPL

nobilitato
 ecopelle st. coccodrillo lucido
facéd panel
 synth. croc printed glossy leather
 L150 x P68 x H110 cm

5BCR5/NEPL

nobilitato
 ecopelle st. coccodrillo lucido
facéd panel
 synth. croc printed glossy leather
 L118 x P68 x H110 cm



5CAS/N

cassettiera
 nobilitato
chest of drawers
facéd panel
 L60 x P54 x H67 cm

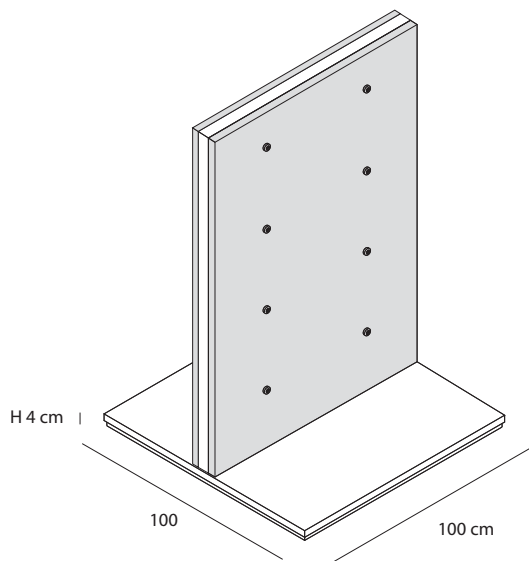
5PR/N

piano rialzato
 nobilitato
raised surface
facéd panel
 L100 x P50 x H25 cm



ISOLA AUTOPORTANTE
FREESTANDING ISLAND

FRONTALE RIGIDO
RIGID FRONTAL



5ISR/EP

isola
base e struttura in nobilitato
frontali in ecopelle st. coccodrillo
island
base and structure in faced panel
fronts in synthetic croc printed leather
L100 x P100 x H150 cm

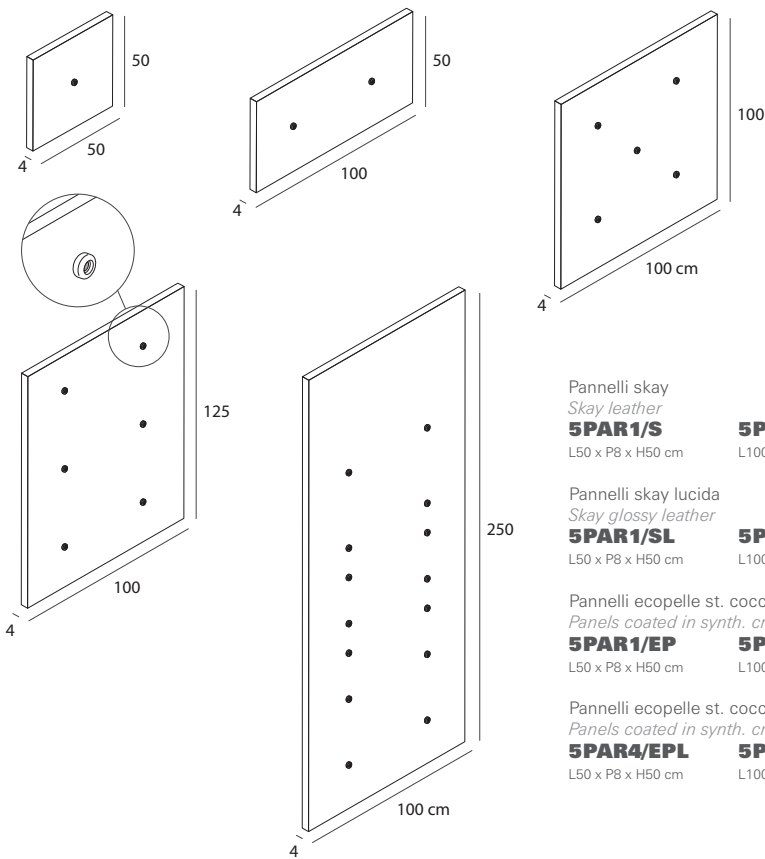
150 cm

5ISR/EPL

isola
base e struttura in nobilitato
frontali in ecopelle st. coccodrillo lucido
island
base and structure in faced panel
fronts in synthetic croc printed glossy leather
L100 x P100 x H150 cm



PANNELLI RIGIDI
RIGID PANELS



Pannelli skay
Skay leather
5PAR1/S
L50 x P8 x H50 cm

5PAR2/S
L100 x P8 x H50 cm

5PAR3/S
L100 x P8 x H100 cm

5PAR4/S
L100 x P8 x H125 cm

5PAR5/S
L100 x P8 x H250 cm

Pannelli skay lucida
Skay glossy leather
5PAR1/SL
L50 x P8 x H50 cm

5PAR2/SL
L100 x P8 x H50 cm

5PAR3/SL
L100 x P8 x H100 cm

5PAR4/SL
L100 x P8 x H125 cm

5PAR5/SL
L100 x P8 x H250 cm

Pannelli ecopelle st. cocodrillo
Panels coated in synth. croc printed leather
5PAR1/EP
L50 x P8 x H50 cm

5PAR2/EP
L100 x P8 x H50 cm

5PAR3/EP
L100 x P8 x H100 cm

5PAR4/EP
L100 x P8 x H125 cm

5PAR5/EP
L100 x P8 x H250 cm

Pannelli ecopelle st. cocodrillo lucido
Panels coated in synth. croc printed glossy leather
5PAR4/EPL
L50 x P8 x H50 cm

5PAR4/EPL
L100 x P8 x H50 cm

5PAR4/EPL
L100 x P8 x H100 cm

5PAR4/EPL
L100 x P8 x H125 cm

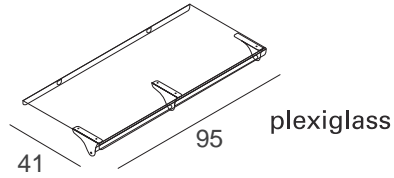
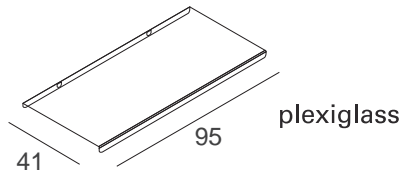
5PAR4/EPL
L100 x P8 x H250 cm



FRONTALE RIGIDO
RIGID FRONTAL

ACCESSORI
ACCESSORIES

mensole - shelves

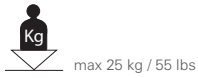


5ME/PLEX

mensole
plex trasparente – satinato
shelves
transparent or satinized plexiglass
L95 x P41 cm - sp. 6 mm

5MEA/PLEX

mensola con appenderia
plex trasparente – satinato
shelf with hanger
transparent or satinized plexiglass
L95 x P41 cm - sp. 6 mm



5ME/N

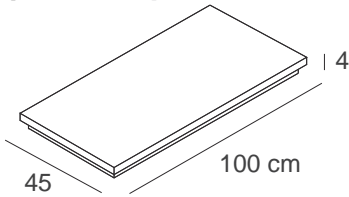
mensola
nobilitato
shelf
faced panel
L95 x P40 cm - sp. 18 mm

5MEA/PLEX

mensola con appenderia
nobilitato
shelf with hanger
faced panel
L95 x P40 cm - sp. 18 mm



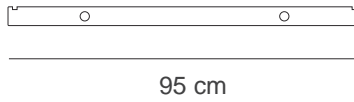
pedana - platform



5PED/N

pedana
nobilitato
rialzata con zoccolo
platform
faced panel
raised with baseboard
L100 x P45 x H4 cm

barra appenderia - crossbar

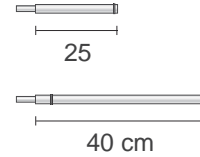


5BAP

barra appenderia
metallo
crossbar
metal
L95 x H3,5 cm - sp. 5 mm



perni - pins



5PP

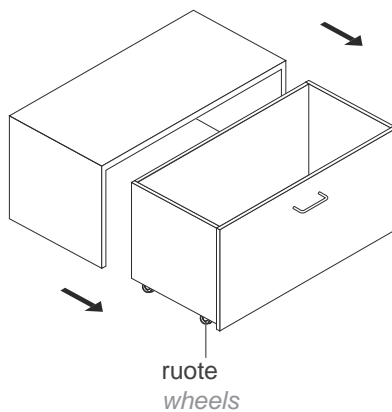
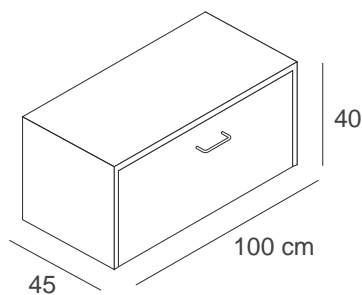
perno app.frontale
alluminio
frontal hanging pin
aluminium
L25 cm Ø 20 mm

5PG

coppia perni
alluminio
pair of supporting pins
aluminium
L40 cm Ø 20 mm



cassettiera - chest of drawer

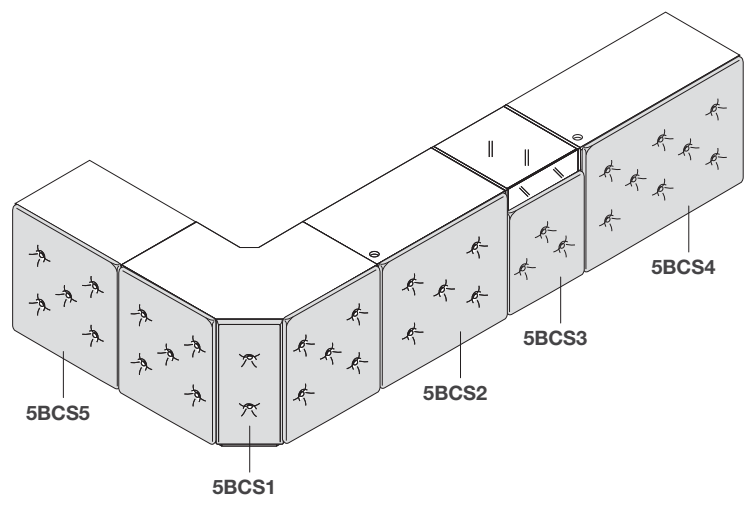


5CA/N

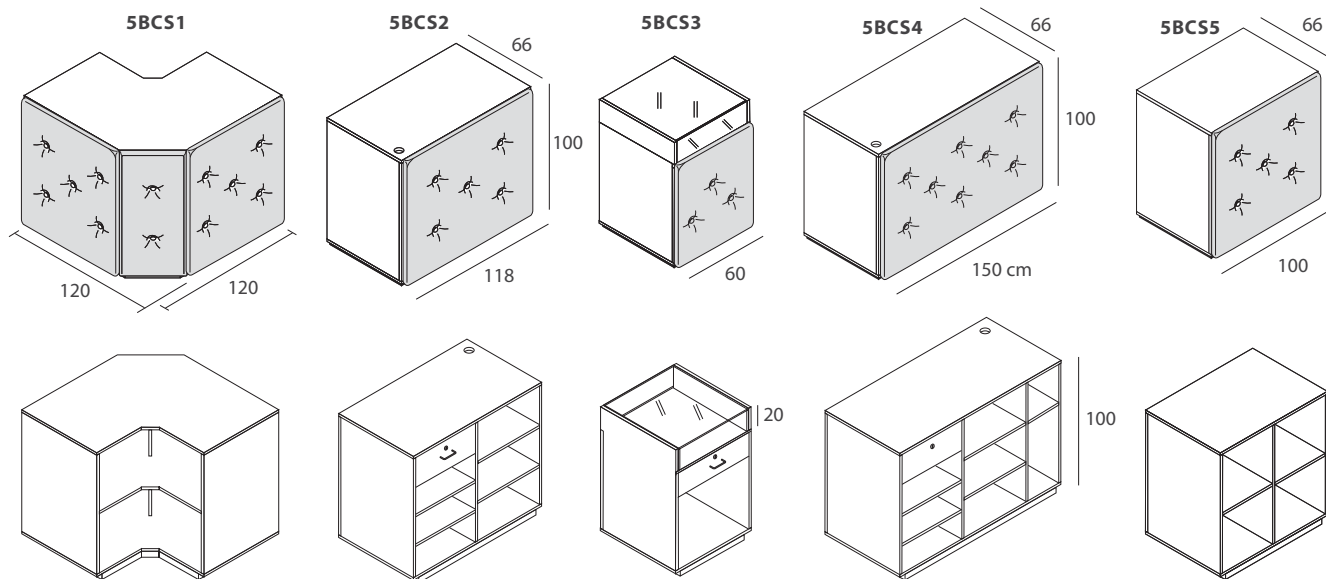
cassettiera
nobilitato
chest of drawers
faced panel
L100 x P45 x H40 cm



FRONTALE IMBOTTITO
 PADDED FRONTAL



BANCHI CASSA CON FRONTALE IMBOTTITO
CASH COUNTERS WITH PADDED FRONTAL



5BCS1/NS

struttura in nobilitato
frontali skay
structure in faced panel
frontals in skay leather
L120 x P120 x H100 cm

5BCS2/NS

struttura in nobilitato
frontali skay
structure in faced panel
frontals in skay leather
L118 x P66 x H100 cm

5BCS3/NS

struttura in nobilitato
frontali skay
structure in faced panel
frontals in skay leather
L60 x P66 x H100 cm

5BCS4/NS

struttura in nobilitato
frontali skay
structure in faced panel
frontals in skay leather
L150 x P66 x H100 cm

5BCS5/NS

struttura in nobilitato
frontali skay
structure in faced panel
frontals in skay leather
L100 x P66 x H100 cm

5BCS1/NSL

struttura in nobilitato
frontali skay lucida
structure in faced panel
frontals in skay glossy leather
L120 x P120 x H100 cm

5BCS2/NSL

struttura in nobilitato
frontali skay lucida
structure in faced panel
frontals in skay glossy leather
L118 x P66 x H100 cm

5BCS3/NSL

struttura in nobilitato
frontali skay lucida
structure in faced panel
frontals in skay glossy leather
L60 x P66 x H100 cm

5BCS4/NSL

struttura in nobilitato
frontali skay lucida
structure in faced panel
frontals in skay glossy leather
L150 x P66 x H100 cm

5BCS5/NSL

struttura in nobilitato
frontali skay lucida
structure in faced panel
frontals in skay glossy leather
L100 x P66 x H100 cm

5BCS1/NEP

struttura in nobilitato
frontali ecopelle st. coccodrillo
structure in faced panel
frontals in synth. croc printed
leather
L120 x P120 x H100 cm

5BCS2/NEP

struttura in nobilitato
frontali ecopelle st. coccodrillo
structure in faced panel
frontals in synth. croc printed
leather
L118 x P66 x H100 cm

5BCS3/NEP

struttura in nobilitato
frontali ecopelle st. coccodrillo
structure in faced panel
frontals in synth. croc printed
leather
L60 x P66 x H100 cm

5BCS4/NEP

struttura in nobilitato
frontali ecopelle st. coccodrillo
structure in faced panel
frontals in synth. croc printed
leather
L150 x P66 x H100 cm

5BCS5/NEP

struttura in nobilitato
frontali ecopelle st. coccodrillo
structure in faced panel
frontals in synth. croc printed
leather
L100 x P66 x H100 cm

5BCS1/NEPL

struttura in nobilitato
frontali ecopelle st. coccodrillo lucido
structure in faced panel
frontals in synth. croc printed
glossy leather
L120 x P120 x H100 cm

5BCS2/NEPL

struttura in nobilitato
frontali ecopelle st. coccodrillo lucido
structure in faced panel
frontals in synth. croc printed
glossy leather
L118 x P66 x H100 cm

5BCS3/NEPL

struttura in nobilitato
frontali ecopelle st. coccodrillo lucido
structure in faced panel
frontals in synth. croc printed
glossy leather
L60 x P66 x H100 cm

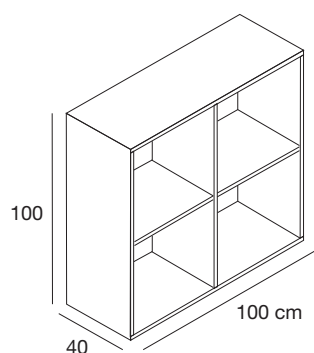
5BCS4/NEPL

struttura in nobilitato
frontali ecopelle st. coccodrillo lucido
structure in faced panel
frontals in synth. croc printed
glossy leather
L150 x P66 x H100 cm

5BCS5/NEPL

struttura in nobilitato
frontali ecopelle st. coccodrillo lucido
structure in faced panel
frontals in synth. croc printed
glossy leather
L100 x P66 x H100 cm

MODULO RETRO CASSA
BACK-CASH MODULE



5RC/N

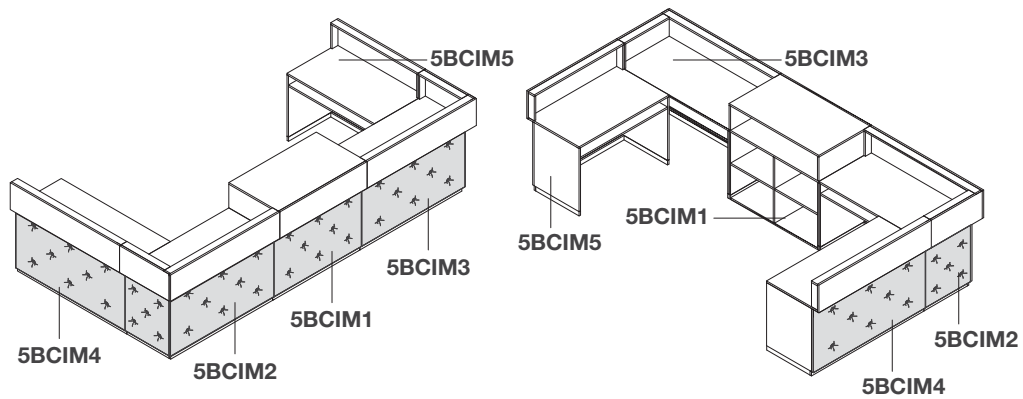
nobilitato
faced panel
L100 x P40 x H100 cm

5RC/NL

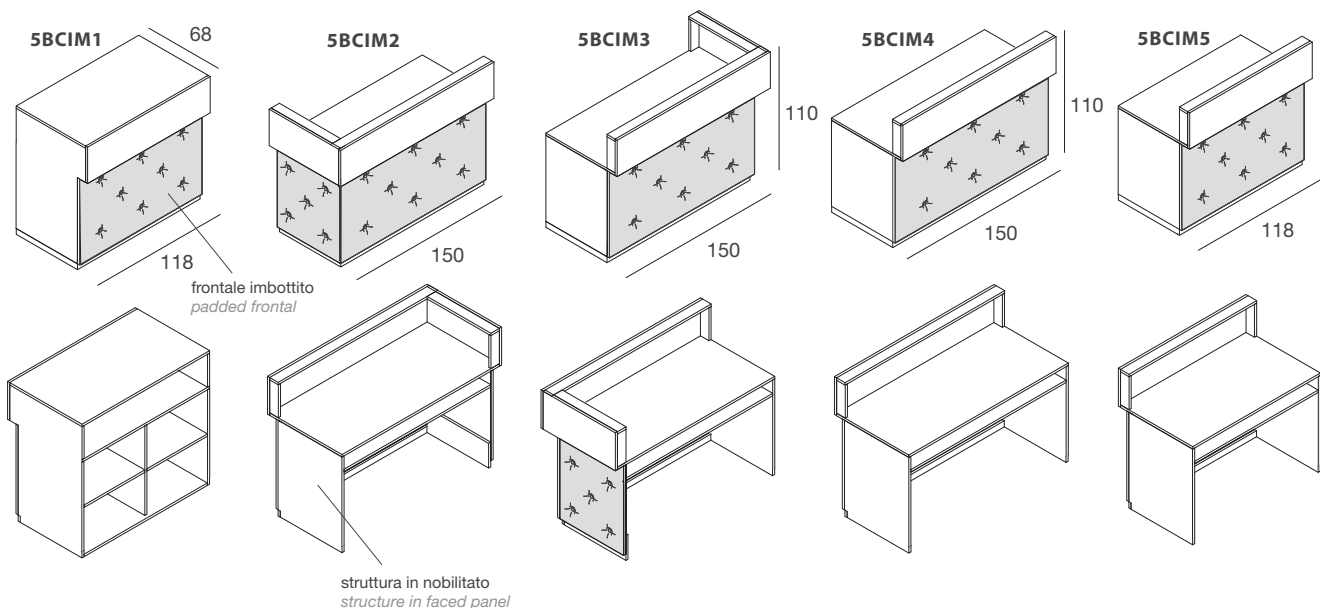
nobilitato lucido
glossy faced panel
L100 x P40 x H100 cm



FRONTALE IMBOTTITO
PADDED FRONTAL



BANCHI CASSA CON FRONTALE IMBOTTITO
CASH COUNTERS WITH PADDED FRONTAL



5BCIM1/NS
 struttura in nobilitato
 frontali skay
 structure in faced panel
 frontals in skay leather
 L118 x P68 x H110 cm

5BCIM2/NS
 struttura in nobilitato
 frontali skay
 structure in faced panel
 frontals in skay leather
 L150 x P68 x H100 cm

5BCIM3/NS
 struttura in nobilitato
 frontali skay
 structure in faced panel
 frontals in skay leather
 L150 x P68 x H100 cm

5BCIM4/NS
 struttura in nobilitato
 frontali skay
 structure in faced panel
 frontals in skay leather
 L150 x P68 x H100 cm

5BCIM5/NS
 struttura in nobilitato
 frontali skay
 structure in faced panel
 frontals in skay leather
 L118 x P68 x H110 cm

5BCIM1/NSL
 struttura in nobilitato
 frontali skay lucida
 structure in faced panel
 frontals in skay glossy leather
 L118 x P68 x H110 cm

5BCIM2/NSL
 struttura in nobilitato
 frontali skay lucida
 structure in faced panel
 frontals in skay glossy leather
 L150 x P68 x H100 cm

5BCIM3/NSL
 struttura in nobilitato
 frontali skay lucida
 structure in faced panel
 frontals in skay glossy leather
 L150 x P68 x H100 cm

5BCIM4/NSL
 struttura in nobilitato
 frontali skay lucida
 structure in faced panel
 frontals in skay glossy leather
 L150 x P68 x H100 cm

5BCIM5/NSVL
 struttura in nobilitato
 frontali skay lucida
 structure in faced panel
 frontals in skay glossy leather
 L118 x P68 x H110 cm

5BCIM1/NEP
 struttura in nobilitato
 frontali ecopelle st. coccodrillo
 structure in faced panel
 frontals in synth. croc printed
 leather
 L118 x P68 x H110 cm

5BCIM2/NEP
 struttura in nobilitato
 frontali ecopelle st. coccodrillo
 structure in faced panel
 frontals in synth. croc printed
 leather
 L150 x P68 x H100 cm

5BCIM3/NEP
 struttura in nobilitato
 frontali ecopelle st. coccodrillo
 structure in faced panel
 frontals in synth. croc printed
 leather
 L150 x P68 x H100 cm

5BCIM4/NEP
 struttura in nobilitato
 frontali ecopelle st. coccodrillo
 structure in faced panel
 frontals in synth. croc printed
 leather
 L150 x P68 x H100 cm

5BCIM5/NEP
 struttura in nobilitato
 frontali ecopelle st. coccodrillo
 structure in faced panel
 frontals in synth. croc printed
 leather
 L118 x P68 x H110 cm

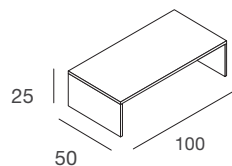
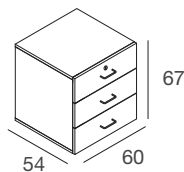
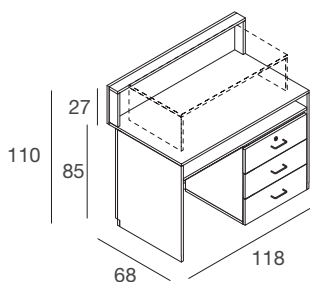
5BCIM1/NEPL
 struttura in nobilitato
 frontali ecopelle st. coccodrillo
 lucido
 structure in faced panel
 frontals in synth. croc printed
 glossy leather
 L118 x P68 x H110 cm

5BCIM2/NEPL
 struttura in nobilitato
 frontali ecopelle st. coccodrillo
 lucido
 structure in faced panel
 frontals in synth. croc printed
 glossy leather
 L150 x P68 x H100 cm

5BCIM3/NEPL
 struttura in nobilitato
 frontali ecopelle st. coccodrillo
 lucido
 structure in faced panel
 frontals in synth. croc printed
 glossy leather
 L150 x P68 x H100 cm

5BCIM4/NEPL
 struttura in nobilitato
 frontali ecopelle st. coccodrillo
 lucido
 structure in faced panel
 frontals in synth. croc printed
 glossy leather
 L150 x P68 x H100 cm

5BCIM5/NEPL
 struttura in nobilitato
 frontali ecopelle st. coccodrillo
 lucido
 structure in faced panel
 frontals in synth. croc printed
 glossy leather
 L118 x P68 x H110 cm



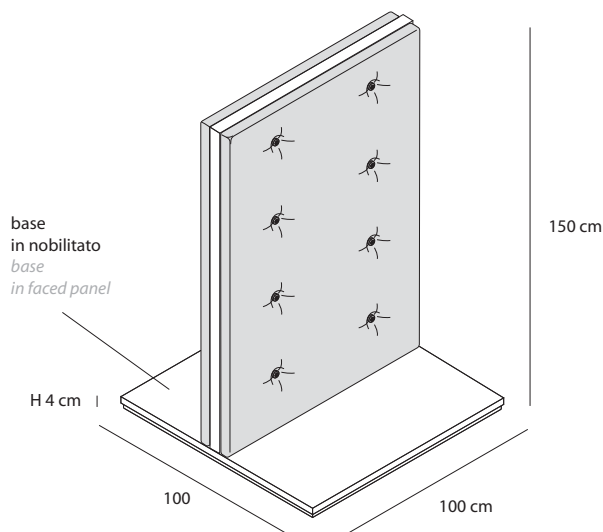
5CAS/N
 cassettera
 nobilitato
 chest of drawers
 faced panel
 L60 x P54 x H67 cm

5PR/N
 piano rialzato
 nobilitato
 raised surface
 faced panel
 L100 x P50 x H25 cm



ISOLA AUTOPORTANTE IMBOTTITA - FREESTANDING ISLAND PADDED FRONTAL

**FRONTALE IMBOTTITO
PADDED FRONTAL**



5IS/S

isola
base e struttura in nobilitato
frontali in skay
island
base and structure in faced panel
fronts in skay leather
L100 x P100 x H150 cm

5IS/SL

isola
base e struttura in nobilitato
frontali in skay lucida
island
base and structure in faced panel
fronts in skay glossy leather
L100 x P100 x H150 cm

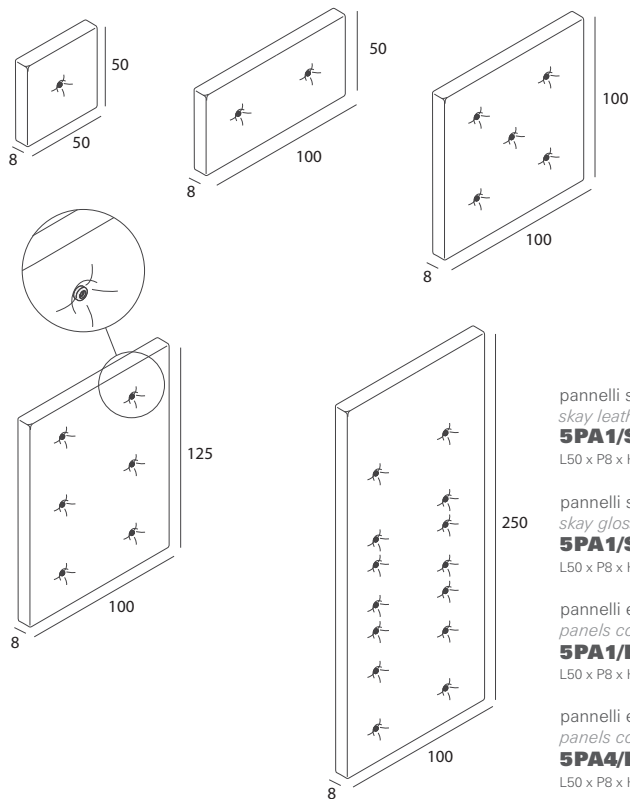
5IS/EP

isola
base e struttura in nobilitato
frontali in ecopelle st. coccodrillo
island
base and structure in faced panel
fronts in synthetic croc printed leather
L100 x P100 x H150 cm

5IS/EPL

isola
base e struttura in nobilitato
frontali in ecopelle st. coccodrillo lucido
island
base and structure in faced panel
fronts in synthetic croc printed glossy leather
L100 x P100 x H150 cm

PANNELLI ATTREZZABILI IMBOTTITI
EQUIPABLE PADDED PANELS



pannelli skay
skay leather

5PA1/S
L50 x P8 x H50 cm

5PA2/S
L100 x P8 x H50 cm

5PA3/S
L100 x P8 x H100 cm

5PA4/S
L100 x P8 x H125 cm

5PA5/S
L100 x P8 x H250 cm

pannelli skay lucida
skay glossy leather

5PA1/SL
L50 x P8 x H50 cm

5PA2/SL
L100 x P8 x H50 cm

5PA3/SL
L100 x P8 x H100 cm

5PA4/SL
L100 x P8 x H125 cm

5PA5/SL
L100 x P8 x H250 cm

pannelli ecopelle st. cocodrillo
panels coated in synth. croc printed leather

5PA1/EP
L50 x P8 x H50 cm

5PA2/EP
L100 x P8 x H50 cm

5PA3/EP
L100 x P8 x H100 cm

5PA4/EP
L100 x P8 x H125 cm

5PA5/EP
L100 x P8 x H250 cm

pannelli ecopelle st. cocodrillo lucido
panels coated in synth. croc printed glossy leather

5PA4/EPL
L50 x P8 x H50 cm

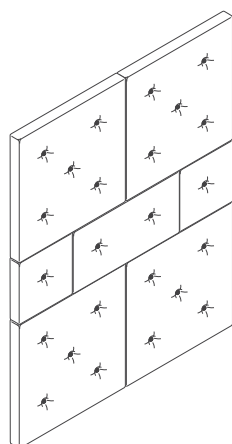
5PA4/EPL
L100 x P8 x H50 cm

5PA4/EPL
L100 x P8 x H100 cm

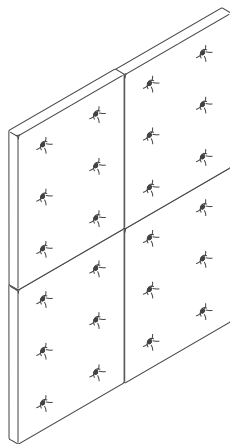
5PA4/EPL
L100 x P8 x H125 cm

5PA4/EPL
L100 x P8 x H250 cm

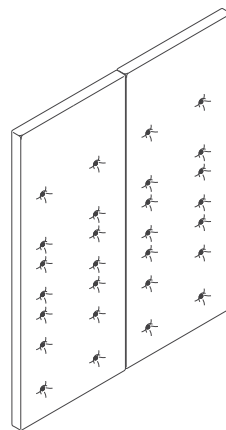
PANNELLI IMBOTTITI - COMPOSIZIONI
PADDED PANELS - COMPOSITIONS



H 50 / 100 cm



H 125 cm



H 250 cm

FRONTALE IMBOTTITO
PADDED FRONTAL



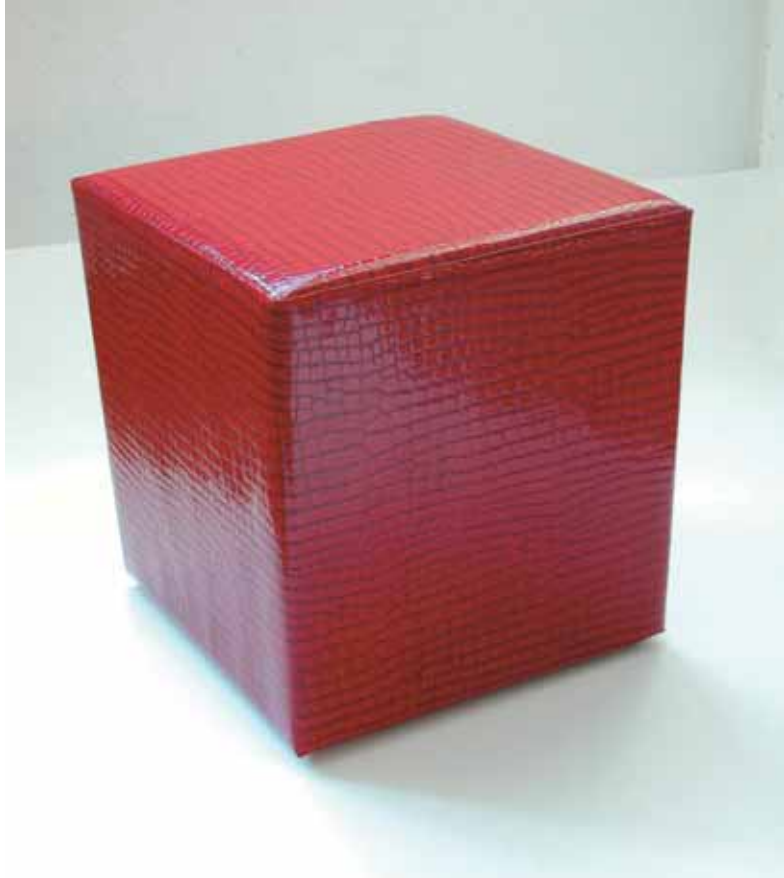




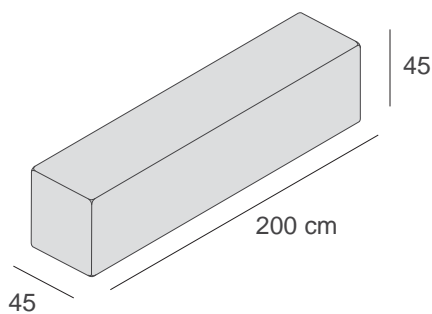
FRONTALE IMBOTTITO
PADDED FRONTAL







POUF IMBOTTITI
PADDED POUF

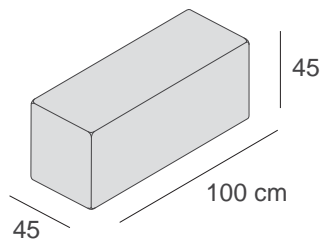


5POU1/S
skay
skay leather
L200 x P45 x H45 cm

5POU1/SL
skay lucida
skay glossy leather
L200 x P45 x H45 cm

5POU1/EP
ecopelle st. cocodrillo
synth. croc printed leather
L200 x P45 x H45 cm

5POU1/EPL
ecopelle st. cocodrillo lucido
synth. croc printed glossy leather
L200 x P45 x H45 cm

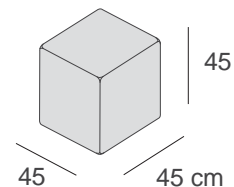


5POU2/S
skay vernice lucida
skay glossy leather
L100 x P45 x H45 cm

5POU2/SL
skay lucida
skay glossy leather
L100 x P45 x H45 cm

5POU2/EP
ecopelle st. cocodrillo
synth. croc printed leather
L100 x P45 x H45 cm

5POU2/EPL
ecopelle st. cocodrillo lucido
synth. croc printed glossy leather
L100 x P45 x H45 cm



5POU3/S
skay vernice lucida
skay glossy leather
L45 x P45 x H45 cm

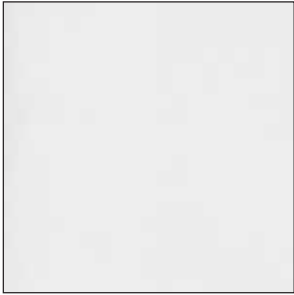
5POU3/SL
skay lucida
skay glossy leather
L45 x P45 x H45 cm

5POU3/EP
ecopelle st. cocodrillo
synth. croc printed leather
L45 x P45 x H45 cm

5.POU3/EPL
ecopelle st. cocodrillo lucido
synth. croc printed glossy leather
L45 x P45 x H45 cm

CARTELLA COLORI - COLOUR CARD

NOBILITATI - FACED PANELS



BIANCO
WHITE



GRIGIO SILVER
SILVER GREY



NERO
BLACK



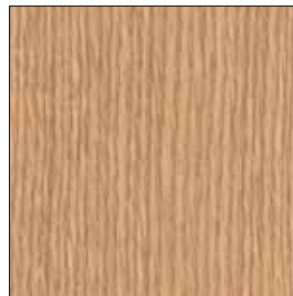
LAMIERA OSSIDATA
OXIDIZED SHEET



ABETE VISSUTO BIANCO
WHITE VINTAGE FIR



ABETE NODATO
KNOTTED FIR



ROVERE AMERICANO
AMERICAN OAK

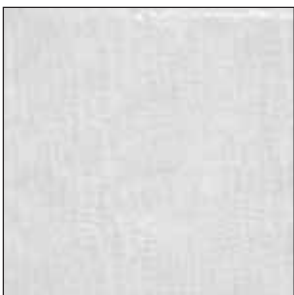


EBANO PRECOMPOSTO
EBONY VENEERED PLYWOOD



WENGE'
WENGE'

ECOPELLE STAMPA COCCODRILLO - SYNTHETIC CROC PRINTED LEATHER



BIANCO
WHITE



BEIGE
BEIGE



CASTAGNO
CHESTNUT



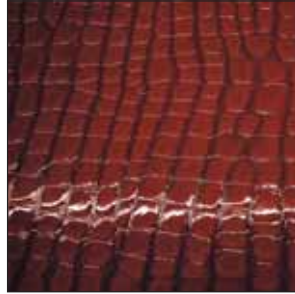
NERO
BLACK

CARTELLA COLORI - COLOUR CARD

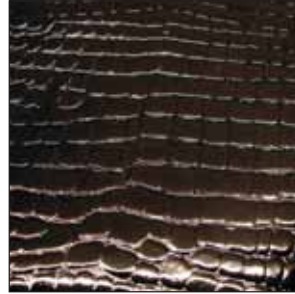
ECOPELLE STAMPA COCCODRILLO LUCIDO - SYNTHETIC CROC PRINTED GLOSSY LEATHER



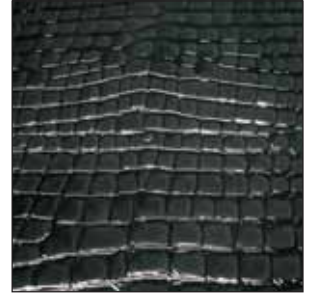
AVORIO
IVORY



ROSSO RUBINO
RUBY RED



TESTA DI MORO
DARK BROWN



GRIGIO
GREY

SKAY - SKAY LEATHER



BIANCO
WHITE



BEIGE
BEIGE



TESTA DI MORO
DARK BROWN



NERO
BLACK

SKAY LUCIDA - SKAY GLOSSY LEATHER



BIANCO
WHITE



NERO
BLACK



ROSSO
RED

PLEXIGLASS



TRASPARENTE
CLEAR



SATINATO
SATINIZED



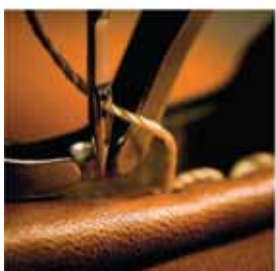
BRUGNOTTO SHOP INTERIORS produce sistemi di arredi modulari per negozi e spazi espositivi.

L'azienda è stata fondata nel 1980 e ha sede nel nord est d'Italia, a 40 km dalla città di Venezia.

Nei suoi stabilimenti di 18.000 mq, sono presenti le più moderne tecnologie produttive ed operano abili professionisti e designers con grande esperienza nel fashion retail design.

BRUGNOTTO SHOP INTERIORS offre soluzioni di arredo innovativo per nuovi spazi commerciali, grazie anche alla capacità di abbinare più materiali, quali vere pelli selezionate, ecopelle stampata e verniciata, metalli e legni con particolari finiture.

Tutti questi materiali vengono lavorati all'interno dell'azienda con cura e sapienza artigianale rendendo BRUGNOTTO SHOP INTERIORS una realtà unica ed esclusiva.



BRUGNOTTO SHOP INTERIORS produces modular pieces of furniture for shops and show spaces.

The company was founded in 1980 with its headquarters in northeastern Italy, 40 kilometres from Venice.

Its headquarters is comprised of 18,000 square metres where the most up-to-date production technology is used by designers and professionals who have a vast experience in modern retail design.

BRUGNOTTO SHOP INTERIORS is able to find innovative furnishing solutions for new commercial spaces thanks to the ability of using different materials, such as carefully chosen genuine leather, printed and varnished eco-leather, various different metals and types of wood with particular finishings.

All these specified materials are used within the company using great care and specialist knowledge making BRUGNOTTO SHOP INTERIORS completely unique and exclusive.



MADE IN ITALY

CONDIZIONI GENERALI DI VENDITA

- La merce viene controllata prima della spedizione. Il vettore è il solo responsabile di eventuali danni. Spetta al cliente controllare la merce all'atto del ritiro e contestare subito al vettore le eventuali avarie e mancanze. Reclami non relativi al trasporto devono essere presentati entro 8 giorni dalla data di ricevimento della merce. Dopo tale termine la merce si intende integralmente accettata.
- La Brugnotto shop interiors si riserva di apportare variazioni tecniche, dimensionali, estetiche a materiali e prodotti.
- Non verranno accettati resi di merce se non preventivamente autorizzati per iscritto da Brugnotto shop interiors. Il reso sarà sempre spedito alla nostra sede franco ogni spesa e adeguatamente imballato nella scatola originale. Imballaggi inadeguati che comportino danni all'articolo, autorizzeranno Brugnotto shop interiors ad addebitare il costo.
- Per qualsiasi controversia il Foro competente sarà quello di Treviso.

GENERAL TERMS OF SALE

- The goods are checked before any shipment. The carrier is the one responsible for any damage. It's up to the customer to check the goods upon collection and contest immediately the carrier for any lacking or damage.
- Brugnotto shop interiors reserves the right to bring any technical, size and aesthetical modifications to the products.
- Returned good will not be accepted unless previously authorized by Brugnotto shop interiors in writing by written letter. Returned goods must always be sent to our main offices free of all charges and properly packaged in their original box. Improper boxing, resulting in damage to the item, will authorize Brugnotto shop interiors to charge its cost. The purchaser, under no circumstances, will have a claim on any type of compensation. Penalties may be taken into consideration only upon previous written agreements.
- Any dispute will be resolved at the place of jurisdiction of Treviso (Italy).