



3

LINEATRE

NUOVA

BRUGNOTTO[®]
SHOP INTERIORS

BRUGNOTTO® SHOP INTERIORS



BRUGNOTTO SHOP INTERIORS produce sistemi di arredi modulari per negozi e spazi espositivi.

L'azienda è stata fondata nel 1980 e ha sede nel nord est d'Italia, a 40 km dalla città di Venezia.

Nei suoi stabilimenti di 18.000 mq, sono presenti le più moderne tecnologie produttive ed operano abili professionisti e designers con grande esperienza nel fashion retail design.

BRUGNOTTO SHOP INTERIORS offre soluzioni di arredo innovativo per nuovi spazi commerciali, grazie anche alla capacità di abbinare più materiali, quali vere pelli selezionate, ecopelle stampata e verniciata, metalli e legni con particolari finiture.

Tutti questi materiali vengono lavorati all'interno dell'azienda con cura e sapienza artigianale rendendo BRUGNOTTO SHOP INTERIORS una realtà unica ed esclusiva.



BRUGNOTTO SHOP INTERIORS produces modular pieces of furniture for shops and show spaces.

The company was founded in 1980 with its headquarters in northeastern Italy, 40 kilometres from Venice.

Its headquarters is comprised of 18.000 square metres where the most up-to-date production technology is used by designers and professionals who have a vast experience in modern retail design.



BRUGNOTTO SHOP INTERIORS is able to find innovative furnishing solutions for new commercial spaces thanks to the ability of using different materials, such as carefully chosen genuine leather, printed and varnished eco-leather, various different metals and types of wood with particular finishings.

All these specified materials are used within the company using great care and specialist knowledge making BRUGNOTTO SHOP INTERIORS completely unique and exclusive.

3 NUOVA LINEATRE



LINEA TRE

Questa linea di arredo, con sistema attrezzato della cremagliera, è estremamente funzionale.

I montanti e i pannelli retroilluminati sono elementi di notevole impatto emozionale e garantiscono eleganti soluzioni di visual merchandising, per molteplici settori commerciali.

I banchi cassa, le isole e le composizioni di cassetti sovrapponibili possono essere coordinati all'arredo inserendo elementi rivestiti di ecopelle.

Mensole, appenderie e cassettiere arricchiscono questa linea di arredo modulare.

LINE THREE

With its rack system, this is the most functional line.

Backlighted uprights and panels give an emotional impact and offer elegant solutions of visual merchandising for all types of shops.

All cash counters, islands and drawer units with elements covered in synthetic leather can be easily matched with furniture. This collection offers extra modular furnishing solutions with shelves, hangings and drawer units.



**MONTANTI
UPRIGHTS**

3M1/N
nobilitato
faced panel
L12 x P10 x H250 cm

3M1/L
nobilitato lucido
glossy faced panel
L12 x P10 x H250 cm

3M1/EP
ecopelle stampa coccodrillo
synthetic croc printed leather
L12 x P10 x H250 cm

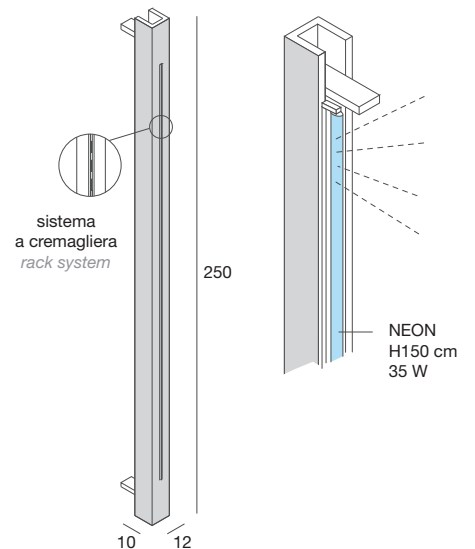
3M1/EPL
ecopelle stampa coccodrillo lucido
synthetic croc printed glossy leather
L12 x P10 x H250 cm

3M2/N
retroilluminato nobilitato
back lighted faced panel
L12 x P10 x H250 cm

3M2/L
retroilluminato nobilitato lucido
back lighted glossy faced panel
L12 x P10 x H250 cm

3M2/EP
retroilluminato ecopelle stampa
coccodrillo
back lighted synthetic croc printed
leather
L12 x P10 x H250 cm

3M2/EPL
retroilluminato ecopelle stampa
coccodrillo lucido
back lighted synthetic croc printed
glossy leather
L12 x P10 x H250 cm





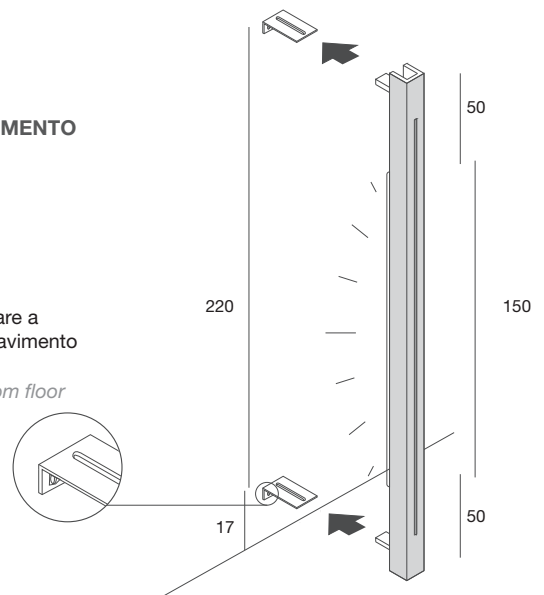
MONTANTI LAMINATO “VERA PIETRA”
LAMINATED UPRIGHTS “TRUE STONE”

3M1/ST
 laminato VeraPietra
faced panel TrueStone
 L12 x P10 x H250 cm

3M2/ST
 laminato VeraPietra retroilluminato
faced panel TrueStone backlighted
 L12 x P10 x H250 cm

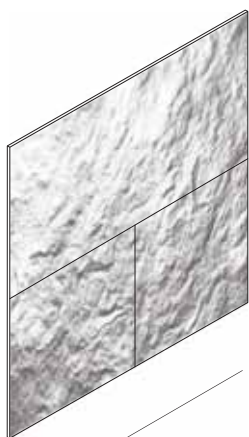
DETTAGLI ALLESTIMENTO
FITTING DETAILS

forare e fissare a
 15 cm dal pavimento
drill and fix
by 15 cm from floor





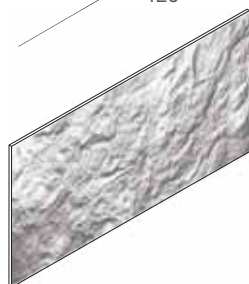
MODULI PARETE "VERA PIETRA"
WALL ELEMENTS "REAL STONE"



120 cm

240 cm

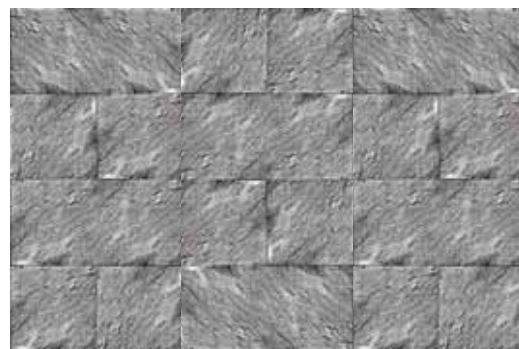
3PAN120
 Pannello in laminato "Vera Pietra"
 Wall panel "Real Stone Veneer"
 L. 120 x H. 120 cm



120

60 cm

3PAN60
 Pannello in laminato "Vera Pietra"
 Wall panel "Real Stone Veneer"
 L. 120 x H. 60 cm



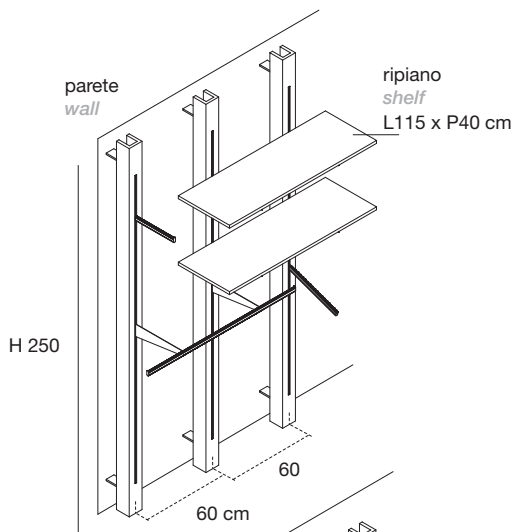
120 cm

ESEMPIO TEXTURE A PARETE COMPLETA
COMPLETE WALL TEXTURE EXAMPLE

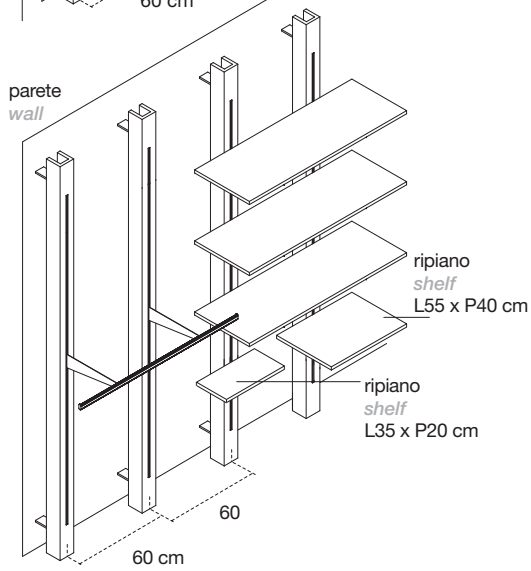
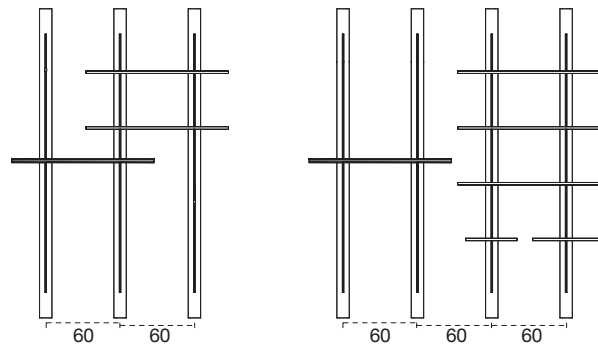
La naturalità e originalità delle finiture implica un certo grado di irregolarità nelle composizioni, caratteristica del materiale stesso.

The finishing's naturality and originality implies a certain degree of irregularities in the compositions, characteristic of the material itself.

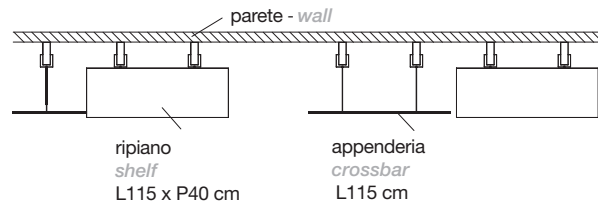
MONTANTI - COMPOSIZIONI
UPRIGHTS - COMPOSITIONS



VISTA FRONTALE - *FRONTAL VIEW*

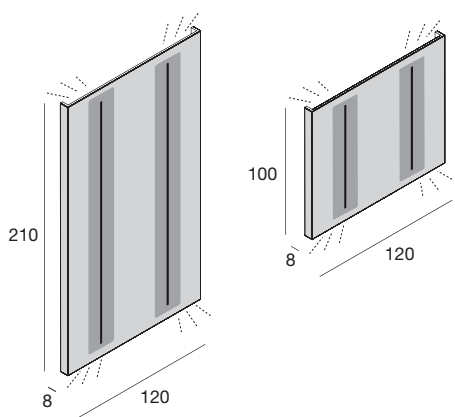


VISTA IN PIANTA - *PLANT VIEW*





PANNELLI CON CREMAGLIERA
PANELS WITH RACK



3P1R/NEPIT

retroilluminato in nobilitato
ecopelle stampa coccodrillo
back lighted in faced panel
synth. croc printed leather
L120 x P8 x H210 cm

3P2R/NEPIT

retroilluminato in nobilitato
ecopelle stampa coccodrillo
back lighted faced panel
synth. croc printed leather
L120 x P8 x H100 cm

3P1R/LEPIT

retroilluminato in nobilitato lucido
ecopelle stampa coccodrillo
back lighted in glossy faced panel
synth. croc printed leather
L120 x P8 x H210 cm

3P2R/LEPIT

retroilluminato in nobilitato lucido
ecopelle stampa coccodrillo
back lighted glossy faced panel
synth. croc printed leather
L120 x P8 x H100 cm

3P1R/NEPLIT

retroilluminato in nobilitato
ecopelle st. coccodrillo lucido
back lighted in faced panel
synth. croc printed glossy leather
L120 x P8 x H210 cm

3P2R/NEPLIT

retroilluminato in nobilitato
ecopelle st. coccodrillo lucido
back lighted glossy faced panel
synth. croc printed glossy leather
L120 x P8 x H100 cm

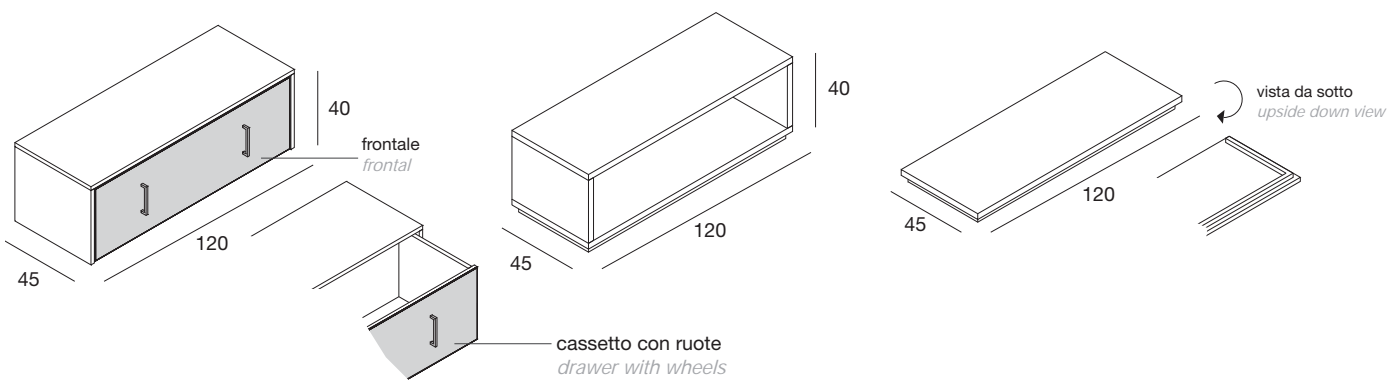
3P1R/LEPLIT

retroilluminato in nobilitato lucido
ecopelle st. coccodrillo lucido
back lighted in glossy faced panel
synth. croc printed glossy leather
L120 x P8 x H210 cm

3P2R/LEPLIT

retroilluminato in nobilitato lucido
ecopelle st. coccodrillo lucido
back lighted glossy faced panel
synth. croc printed glossy leather
L120 x P8 x H100 cm

ACCESSORI
ACCESSORIES



3CA/N

cassettiera
struttura in nobilitato
frontale in nobilitato
chest of drawers
structure in faced panel
front in faced panel
L120 x P45 x H40 cm

3CA/EP

cassettiera
struttura in nobilitato
frontale in ecopelle stampa coccodrillo
chest of drawers
structure in faced panel
front in synthetic croc printed leather
L120 x P45 x H40 cm

3A/N

anello
nobilitato
ring
faced panel
L120 x P45 x H40 cm

3PE/N

pedana
nobilitato
rialzata con zoccolo
platform
faced panel
raised with baseboard
L120 x P45 cm

3CA/L

cassettiera
struttura in nobilitato
frontale in nobilitato lucido
chest of drawers
structure in faced panel
front in glossy faced panel
L120 x P45 x H40 cm

3CA/EPL

cassettiera
struttura in nobilitato
frontale in ecopelle stampa
coccodrillo lucido
chest of drawers
structure in faced panel
front in synthetic croc printed
glossy leather
L120 x P45 x H40 cm

3A/L

anello
nobilitato lucido
ring
glossy faced panel
L120 x P45 x H40 cm

3PE/L

pedana
nobilitato lucido
rialzata con zoccolo
platform
glossy faced panel
raised with baseboard
L120 x P45 cm



PANNELLI CON CREMAGLIERA
PANELS WITH RACK

3P1/N
 nobilitato
 faced panel
 L120 x H250 cm

3P1/L
 nobilitato lucido
 glossy faced panel
 L120 x H250 cm

3P1/EP
 ecopelle stampa coccodrillo
 synth. croc printed leather
 L120 x H250 cm

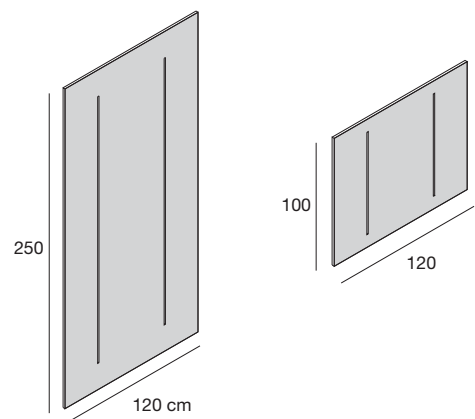
3P1/EPL
 ecopelle st. coccodrillo lucido
 synth. croc printed glossy leather
 L120 x H250 cm

3P2/N
 nobilitato
 faced panel
 L120 x H100 cm

3P2/L
 nobilitato lucido
 glossy faced panel
 L120 x H100 cm

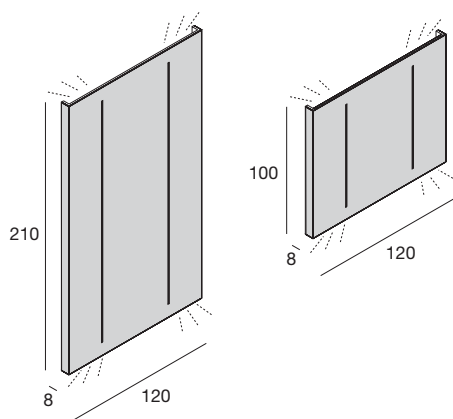
3P2/EP
 ecopelle stampa coccodrillo
 synth. croc printed leather
 L120 x H100 cm

3P2/EPL
 ecopelle st. coccodrillo lucido
 synth. croc printed glossy leather
 L120 x H100 cm





PANNELLI CON CREMAGLIERA RETROILLUMINATI
BACKLIGHTED PANELS WITH RACK



3P1R/N
 retroilluminato
 nobilitato
*back lighted
 faced panel*
 L120 x P8 x H210 cm

3P1R/L
 retroilluminato
 nobilitato lucido
*back lighted
 glossy faced panel*
 L120 x P8 x H210 cm

3P1R/EP
 retroilluminato
 ecopelle stampa coccodrillo
*back lighted
 synth. croc printed leather*
 L120 x P8 x H210 cm

3P1R/EPL
 retroilluminato
 ecopelle st. coccodrillo lucido
*back lighted
 synth. croc printed glossy leather*
 L120 x P8 x H210 cm

3P2R/N
 retroilluminato
 nobilitato
*back lighted
 faced panel*
 L120 x P8 x H100 cm

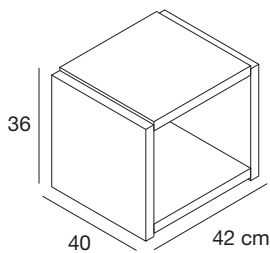
3P2R/L
 retroilluminato
 nobilitato lucido
*back lighted
 glossy faced panel*
 L120 x P8 x H100 cm

3P2R/EP
 retroilluminato
 ecopelle stampa coccodrillo
*back lighted
 synth. croc printed leather*
 L120 x P8 x H100 cm

3P2R/EPL
 retroilluminato
 ecopelle st. coccodrillo lucido
*back lighted
 synth. croc printed glossy leather*
 L120 x P8 x H100 cm

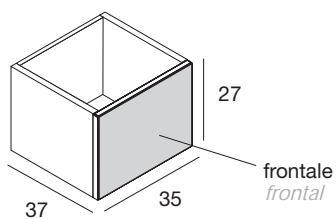


MODULI SOVRAPPONIBILI
SUPERIMPOSABLE MODULES



3C/N
cubo
nobilitato
cube
faced panel
L42 x P40 x H36 cm

3CAS/N
cassetto
struttura in nobilitato
frontale in nobilitato
drawer
structure in faced panel
front in faced panel
L35 x P37 x H27 cm

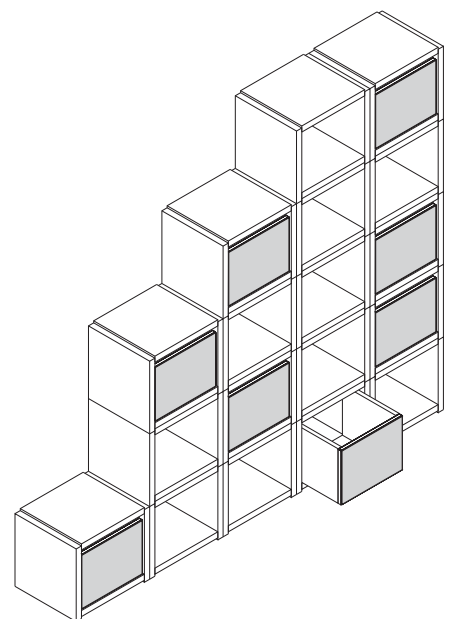


3CAS/L
cassetto - struttura in nobilitato
frontale in nobilitato lucido
drawer - structure in faced panel
front in glossy faced panel
L35 x P37 x H27 cm

3CAS/EP
cassetto
struttura in nobilitato
frontale in ecopelle stampa coccodrillo
drawer
structure in faced panel
front in synthetic croc printed leather
L35 x P37 x H27 cm

3CAS/EPL
cassetto - struttura in nobilitato
frontale in ecopelle stampa coccodrillo lucido
drawer - structure in faced panel
front in synthetic croc printed glossy leather
L35 x P37 x H27 cm

3CAS/ST
cassetto
struttura in nobilitato
frontale in laminato Vera Pietra
drawer structure in faced panel
front in Rrue Stone faced panel
L35 x P37 x H27 cm





BANCHI CASSA
CASH COUNTERS

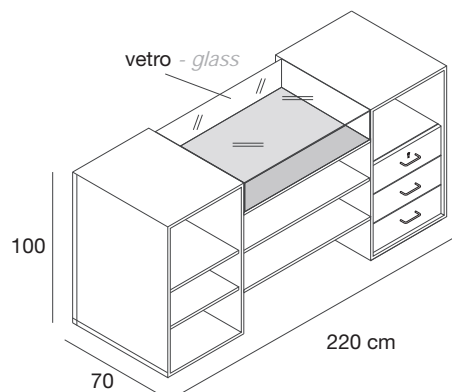
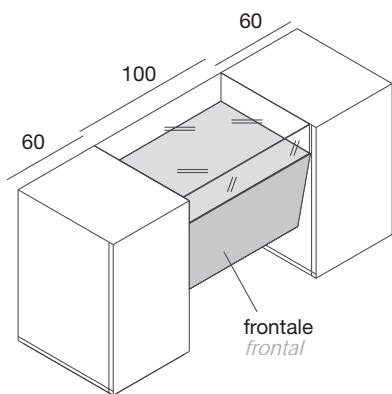
3BC1/N
struttura in nobilitato
frontale in nobilitato
structure in faced panel
front in faced panel
L220 x P70 x H100 cm

3BC1/L
struttura in nobilitato
frontale in nobilitato lucido
structure in faced panel
front in glossy faced panel
L220 x P70 x H100 cm

3BC1/EP
struttura in nobilitato
frontale in ecopelle stampa coccodrillo
structure in faced panel
front in synthetic croc printed leather
L220 x P70 x H100 cm

3BC1/EPL
struttura in nobilitato
frontale in ecopelle stampa coccodrillo lucido
structure in faced panel
front in synthetic croc printed glossy leather
L220 x P70 x H100 cm

3BC1/ST
struttura in nobilitato
frontale in laminato Vera Pietra
structure in faced panel
front in True Stone faced panel
L220 x P70 x H100 cm





ISOLA AUTOPORTANTE
FREESTANDING RACK ISLAND

3IS/N

base e struttura in nobilitato
frontali in nobilitato
*base and structure in faced panel
fronts in faced panel*
L120 x P90 x H160 cm

3IS/L

base e struttura in nobilitato
frontali in nobilitato lucido
*base and structure in faced panel
fronts in glossy faced panel*
L120 x P90 x H160 cm

3IS/EP

base e struttura in nobilitato
frontali in ecopelle stampa coccodrillo
*base and structure in faced panel
fronts in synthetic croc printed leather*
L120 x P90 x H160 cm

3IS/EPL

base e struttura in nobilitato
frontali in ecopelle stampa coccodrillo lucido
*base and structure in faced panel
fronts in synthetic croc printed glossy leather*
L120 x P90 x H160 cm

3TO/N

nobilitato
faced panel
L60 x P60 x H150

3TO/L

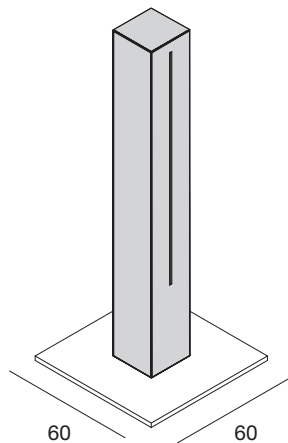
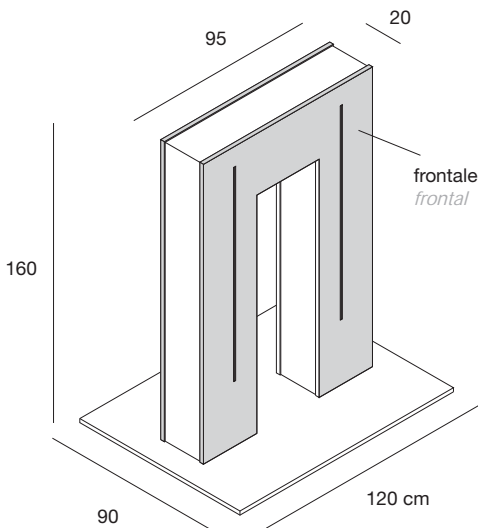
nobilitato lucido
glossy faced panel
L60 x P60 x H150

3TO/EP

150
ecopelle stampa coccodrillo
synth. croc printed leather
L60 x P60 x H150

3TO/EPL

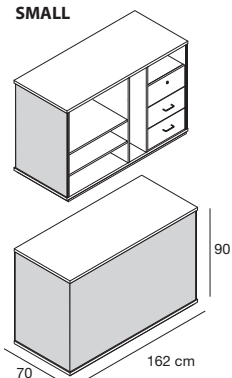
ecopelle stampa coccodrillo
lucida
synth. croc printed glossy leather
L60 x P60 x H150



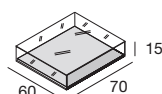
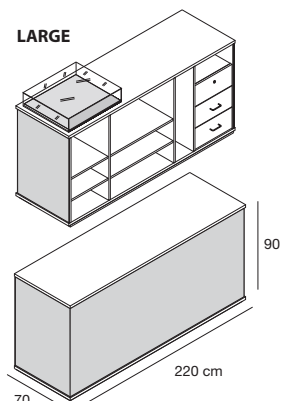


BANCHI CASSA CASH COUNTERS

SMALL



LARGE



3BC2/N

banco cassa small
struttura in nobilitato
frontale e laterali in nobilitato
*small cash counter
structure in faced panel
front and laterals in faced panel*
L162 x P70 x H90 cm

3BC2/L

banco cassa small
struttura in nobilitato
frontale e laterali in nobilitato lucido
*small cash counter
structure in faced panel
front and laterals in glossy
faced panel*
L162 x P70 x H90 cm

3BC2/ST

banco cassa small
struttura in nobilitato
frontale e laterali in laminato
Vera Pietra
*small cash counter
structure in faced panel
front and laterals in Real Stone
faced panels*
L162 x P70 x H90 cm

3BC2/EP

banco cassa small
struttura in nobilitato
frontale e laterali in ecopelle
stampa coccodrillo
*small cash counter
structure in faced panel
front and laterals in synthetic
croc printed leather*
L162 x P70 x H90 cm

3BC2/EPL

banco cassa small
struttura in nobilitato
frontale e laterali in ecopelle
st. coccodrillo lucido
*small cash counter
structure in faced panel
front and laterals in synth.
croc printed glossy leather*
L162 x P70 x H90 cm

3BC3/N

banco cassa large
struttura in nobilitato
frontale e laterali in nobilitato
*large cash counter
structure in faced panel
front and laterals in faced panel*
L220 x P70 x H90 cm

3BC3/L

banco cassa large
struttura in nobilitato
frontale e laterali in nobilitato lucido
*large cash counter
structure in faced panel
front and laterals in glossy
faced panel*
L220 x P70 x H90 cm

3BC3/ST

banco cassa small
struttura in nobilitato
frontale e laterali in laminato
Vera Pietra
*small cash counter
structure in faced panel
front and laterals in Real Stone
faced panels*
L220 x P70 x H90 cm

3TC/N

teca vetro
base in nobilitato
*glass case
base in faced panel*

3TC/L

teca vetro
base in nobilitato lucido
*glass case
base in glossy faced panel*

3TC/EP

teca vetro
base in ecopelle stampa coccodrillo
*glass case
base in synthetic croc printed leather*

3TC/EPL

teca vetro
base in ecopelle stampa coccodrillo lucido
*glass case
base in synthetic croc printed glossy leather*

3BC3/EP

banco cassa large
struttura in nobilitato
frontale e laterali in ecopelle
stampa coccodrillo
*large cash counter
structure in faced panel
front and laterals in synthetic
croc printed leather*
L220 x P70 x H90 cm

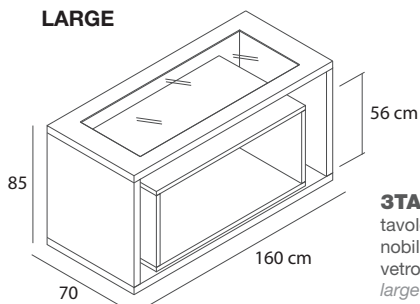
3BC3/EPL

banco cassa large
struttura in nobilitato
frontale e laterali in ecopelle
st. coccodrillo lucido
*large cash counter
structure in faced panel
front and laterals in synth.
croc printed glossy leather*
L220 x P70 x H90 cm



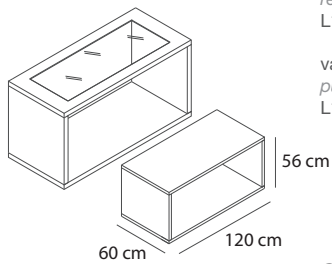
**TAVOLI
TABLES**

LARGE



3TAVL/N
tavolo large
nobilitato
vetro ad incastro
*large table
faced panel
recessed glass*
L160 x P70 x H85 cm

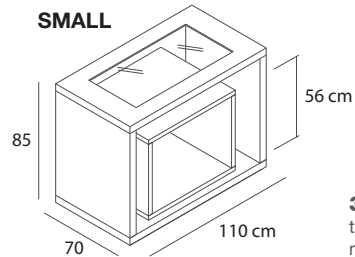
vano estraibile
pull-out compartment
L120 x P60 x H56 cm



3TAVL/L
tavolo large
nobilitato lucido
vetro ad incastro
*large table
glossy faced panel
recessed glass*
L160 x P70 x H85 cm

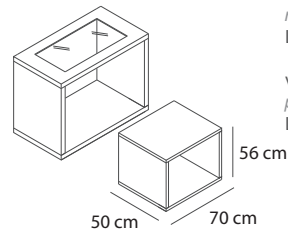
vano estraibile
pull-out compartment
L120 x P60 x H56 cm

SMALL



3TAVS/N
tavolo small
nobilitato
vetro ad incastro
*small table
faced panel
recessed glass*
L110 x P70 x H85 cm

vano estraibile
pull-out compartment
L70 x P50 x H56 cm

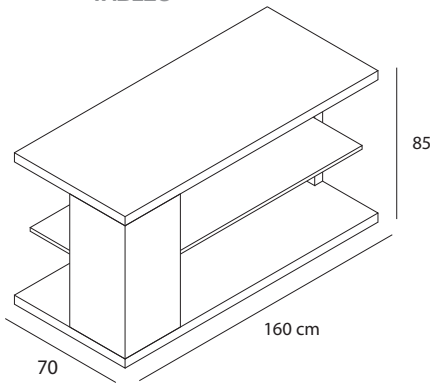


3TAVS/L
tavolo small
nobilitato lucido
vetro ad incastro
*small table
glossy faced panel
recessed glass*
L110 x P70 x H85 cm

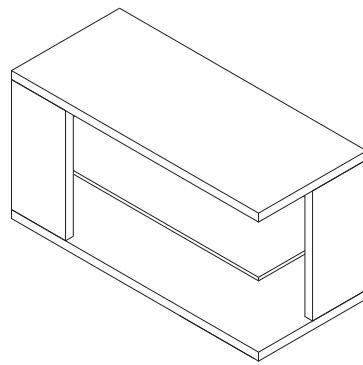
vano estraibile
pull-out compartment
L70 x P50 x H56 cm



TAVOLI
TABLES

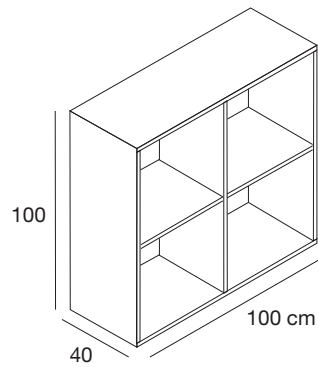


3TA/N
tavolo
nobilitato
table
faced panel
L160 x P70 x H85 cm



3TA/L
tavolo
nobilitato lucido
table
glossy faced panel
L160 x P70 x H85 cm

MODULO RETRO CASSA
BACK-CASH MODULE



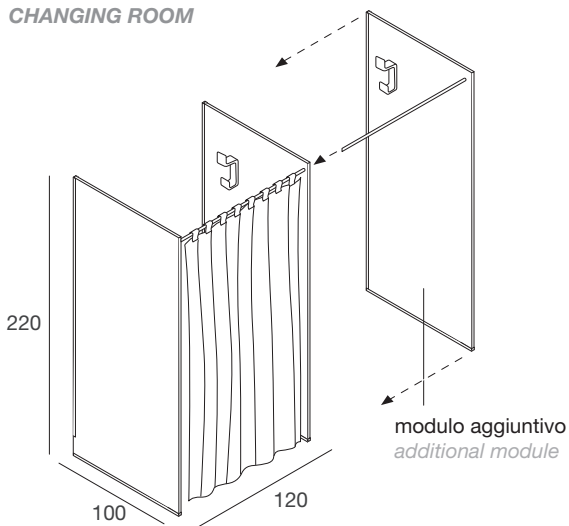
3RC/N
nobilitato
faced panel
L100 x P40 x H100 cm

3RC/NL
nobilitato lucido
glossy faced panel
L100 x P40 x H100 cm





CAMERINO
CHANGING ROOM



3CAM1/N
camerino
tubo tenda
coppia ganci appendini
coppia pannelli nobilitato
changing room
tube for curtain
pair of wall clothes hangers
pair of faced panels
L120 x P100 x H220 cm

3CAM2/N
modulo aggiuntivo
tubo tenda
coppia ganci appendini
pannello nobilitato
additional module
tube for curtain
pair of wall clothes hangers
faced panel
L120 x H220 cm

3TEV
tenda
curtain
L140 x H200 cm

3MRR/N
specchio
cornice in nobilitato
mirror
frame in faced panel
L85 x H205 cm

3MRR/L
specchio
cornice in nobilitato lucido
mirror frame in
glossy faced panel
L85 x H205 cm

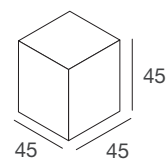
3MRR/EP
specchio
cornice ecopelle st. coccodrillo
mirror
frame in synth. croc printed
leather
L85 x H205 cm

3MRR/EPL
specchio
cornice ecopelle st. coccodrillo
lucido
mirror
frame in synth. croc printed
glossy leather
L85 x H205 cm

3GA
gancio appenderia
alluminio
clothes hanger
aluminium
P15 x H10 cm



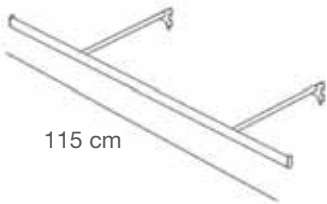
10



3POU/EP
pouf rivestito
ecopelle stampa coccodrillo
padded pouf
synth. croc printed leather
L45 x P45 x H45 cm

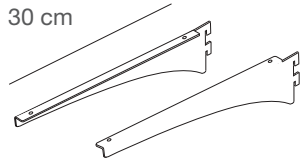
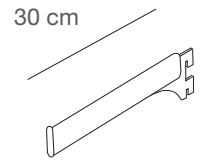
3POU/EPL
pouf rivestito
ecopelle stampa coccodrillo lucido
padded pouf
synth. croc printed glossy leather
L45 x P45 x H45 cm

ACCESSORI
ACCESORIES



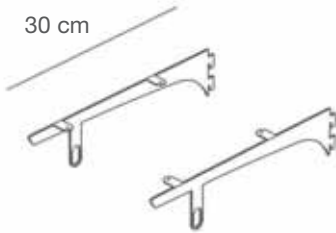
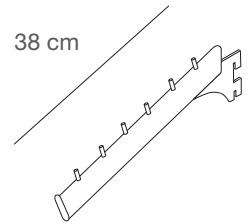
3BAP
Barra appenderia
initura cromo opaco
*Hanging bar
matt chromium finishing*
L.115 cm

3APF
Appenderia frontale dritta
finitura cromo opaco
*Straight frontal crossbar
matt chromium finishing*
L.30 cm



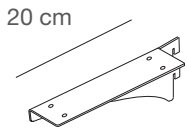
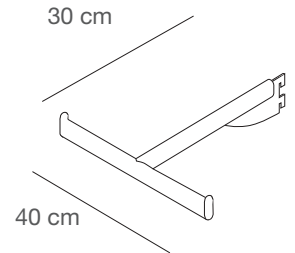
3RM/L
Coppia staffe reggimensola
per legno finitura cromo opaco
*Pair of shelves holder
for wood matt chromium
finishing*
L.30 cm

3APFZ
Appenderia frontale inclinata
finitura cromo opaco
*Tilted frontal crossbar
matt chromium finishing*
L.38 cm



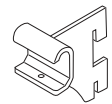
3MEBAP/L
Coppia staffe reggimensola legno
e barra appenderia finitura cromo opaco
*Pair of wood shelves holders with
hanging bar matt chromium finishing*

3BAP2
Barra appenderia piccola
finitura cromo opaco
*Straight frontal crossbar
matt chromium finishing*
L.40 x P. 30 cm

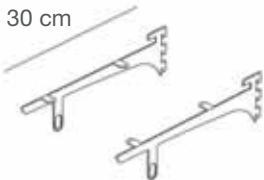
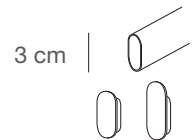


3RMM/L
Staffa singola per mensola media
e piccola in legno finitura cromo opaco
*Pair of shelves holder for wood
matt chromium finishing*
L.20 cm

3RT
Supporto reggitubo per tubo ovale 30 x 15 mm
finitura cromo opaco
*Holder for oval tube 30 x 15 mm
matt chromium finishing*

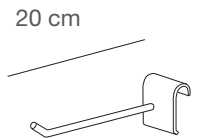


3TUB
Tubo ovale 30 x 15 mm e tappi chiusura,
disponibile misure a richiesta finitura cromo opaco
*Oval tube 30 x 15 mm and closing caps,
length available on request, matt chromium finishing.*

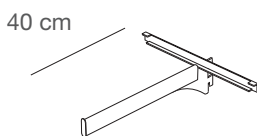


3MEBAP/V
Coppia staffe reggimensola vetro sp.8mm
e barra appenderia finitura cromo opaco
*Pair of glass th.8mm shelves holders
with hanging bar matt chromium finishing*

3BLIST
Portablister per tubo ovale 30 x 15 mm
finitura cromo opaco
*Blisterholder for oval tube 30 x 15 mm
matt chromium finishing*
L.20 cm

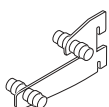


3ME/V
Coppia staffe reggimensola vetro sp.8mm
finitura cromo opaco
*Pair of glass th.8mm shelvesholders
matt chromium finishing*

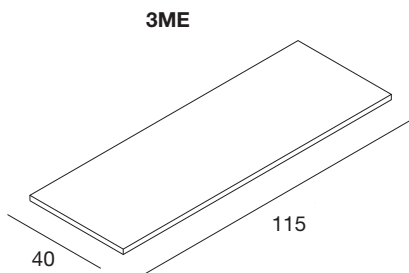


3RMM/V
Reggimensola media per vetro sp.8mm
finitura cromo opaco
*Medium shelves holder for glass th.8mm
matt chromium finishing*
L.30 cm

3RMS/V 2
Reggimensola piccola per vetro sp.8mm
finitura cromo opaco
*Small shelves holder for glass th.8mm
matt chromium finishing*



3RMS/V
Reggimensola piccola per vetro sp.8mm
finitura cromo opaco
*Small shelves holder for glass th.8mm
matt chromium finishing*



3ME/L

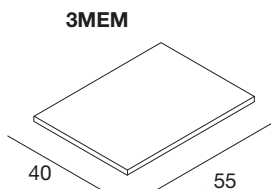
mensola in nobilitato lucido
shelf in glossy faced panel
L115 x P40 cm – sp 18 mm

3ME/N

mensola in nobilitato
shelf in faced panel
L115 x P40 cm – sp 18 mm

3ME/ST

mensola in nobilitato
shelf in faced panel
L115 x P40 cm – sp 18 mm



3MEM/L

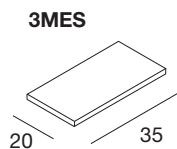
mensola in nobilitato lucido
shelf in glossy faced panel
L55 x P40 cm – sp 18 mm

3MEM/N

mensola in nobilitato
shelf in faced panel
L55 x P40 cm – sp 18 mm

3MEM/ST

mensola in nobilitato
shelf in faced panel
L 55 x P40 cm – sp 18 mm



3MES/L

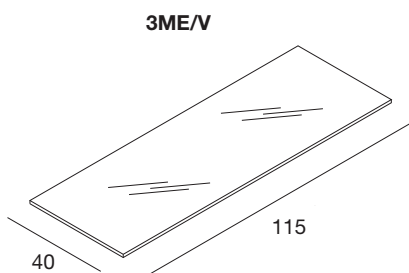
mensola in nobilitato lucido
shelf in glossy faced panel
L35 x P20 cm – sp 18 mm

3MES/N

mensola in nobilitato
shelf in faced panel
L35 x P20 cm – sp 18 mm

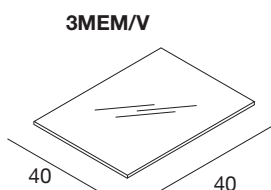
3MES/ST

mensola in nobilitato
shelf in faced panel
L35 x P20 cm – sp 18 mm



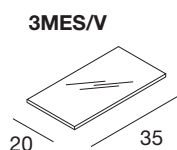
3ME/V

mensola in vetro temperato
shelf in tempered glass
L115 x P40 cm – sp 8 mm



3MEM/V

mensola in vetro temperato
shelf in tempered glass
L40 x P40 cm – sp 8 mm



3MES/V

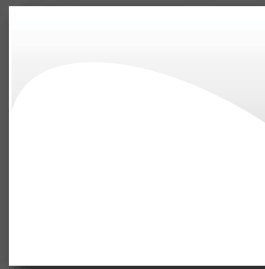
mensola in vetro temperato
shelf in tempered glass
L35 x P20 cm – sp 8 mm



NOBILITATI
FACED PANELS



NERO LUCIDO
GLOSSY BLACK



BIANCO LUCIDO
GLOSSY WHITE



NERO
BLACK



BIANCO
WHITE



ABETE NODATO
KNOTTED FIR



ABETE VISSUTO BIANCO
WHITE VINTAGE FIR



ROVERE TAVOLATO
PLANKED OAK



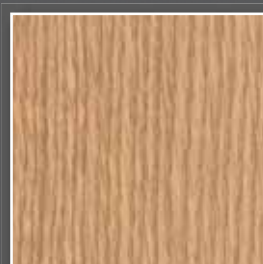
ABETE GESSATO
CHALKY FIR



EBANO PRECOMPOSTO
EBONY VENEERED PLYWOOD



WENGE'
WENGE'



ROVERE AMERICANO
AMERICAN OAK



LAMIERA OSSIDATA
OXIDIZED SHEET

FINITURE E MATERIALI "VERA PIETRA"
FINISHINGS AND MATERIALS "REAL STONE"



ARGENTO



COBRE NEW



AURO



D_BLACK

FINITURE TESSUTI
FABRIC FINISHINGS



VELLUTO BEIGE
VELVET BEIGE



VELLUTO ROSSO
VELVET RED



VELLUTO NERO
VELVET BLACK



TAFTA' CRINKLE NEWCREAM
TAFTA' CRINKLE NEWCREAM



TAFTA' CRINKLE GRIGIO
TAFTA' CRINKLE GREY

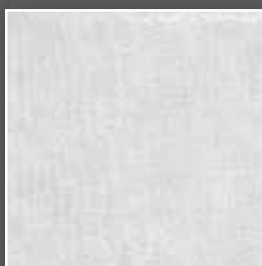


TAFTA' CRINKLE BORDEAUX
TAFTA' CRINKLE BORDEAUX



TAFTA' CRINKLE GREEN
TAFTA' CRINKLE GREEN

ECOPELLE STAMPA COCCODRILLO
SYNTHETIC CROC PRINTED LEATHER



BIANCO
WHITE



BEIGE
BEIGE



CASTAGNO
CHESTNUT

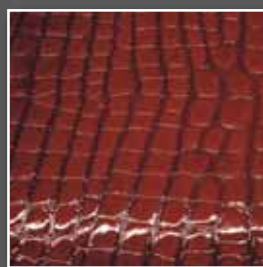


NERO
BLACK

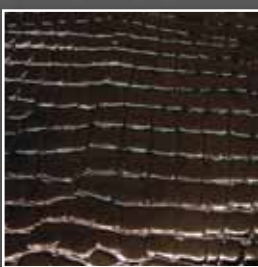
ECOPELLE STAMPA COCCODRILLO LUCIDO
SYNTHETIC CROC PRINTED GLOSSY LEATHER



AVORIO
IVORY



ROSSO RUBINO
RUBY RED



TESTA DI MORO
DARK BROWN

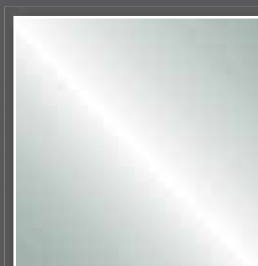


GRIGIO
GREY

ACCESSORI
ACCESORIES



CROMO OPACO
CHROMIUM MATT



VETRO TEMPERATO
CLEAR GLASS

MADE IN ITALY



CONDIZIONI GENERALI DI VENDITA

- La merce viene controllata prima della spedizione. Il vettore è il solo responsabile di eventuali danni. Spetta al cliente controllare la merce all'atto del ritiro e contestare subito al vettore le eventuali avarie e mancanze. Reclami non relativi al trasporto devono essere presentati entro 8 giorni dalla data di ricevimento della merce. Dopo tale termine la merce si intende integralmente accettata.
- La Brugnotto shop interiors si riserva di apportare variazioni tecniche, dimensionali, estetiche a materiali e prodotti.
- Non verranno accettati resi di merce se non preventivamente autorizzati per iscritto da Brugnotto shop interiors. Il reso sarà sempre spedito alla nostra sede franco ogni spesa e adeguatamente imballato nella scatola originale. Imballaggi inadeguati che comportino danni all'articolo, autorizzeranno Brugnotto shop interiors ad addebitare il costo.
- Per qualsiasi controversia il Foro competente sarà quello di Treviso.

GENERAL TERMS OF SALE

- *The goods are checked before any shipment. The carrier is the one responsible for any damage. It's up to the customer to check the goods upon collection and contest immediately the carrier for any lacking or damage.*
- *Brugnotto shop interiors reserves the right to bring any technical, size and aesthetical modifications to the products.*
- *Returned good will not be accepted unless previously authorized by Brugnotto shop interiors in writing by written letter. Returned goods must always be sent to our main offices free of all charges and properly packaged in their original box. Improper boxing, resulting in damage to the item, will authorize Brugnotto shop interiors to charge its cost. The purchaser, under no circumstances, will have a claim on any type of compensation. Penalties may be taken into consideration only upon previous written agreements.*
- *Any dispute will be resolved at the place of jurisdiction of Treviso (Italy).*

BRUGNOTTO®
SHOP INTERIORS

Bjørn Haug AS
Oserødmyra 2
3138 SKALLESTAD
Tlf: 33 29 99 90

www.bjornhaug.no
bjorn@bjornhaug.no

