

L
LINEAUNO

BRUGNOTTO[®]
SHOP INTERIORS

BRUGNOTTO[®]
SHOP INTERIORS

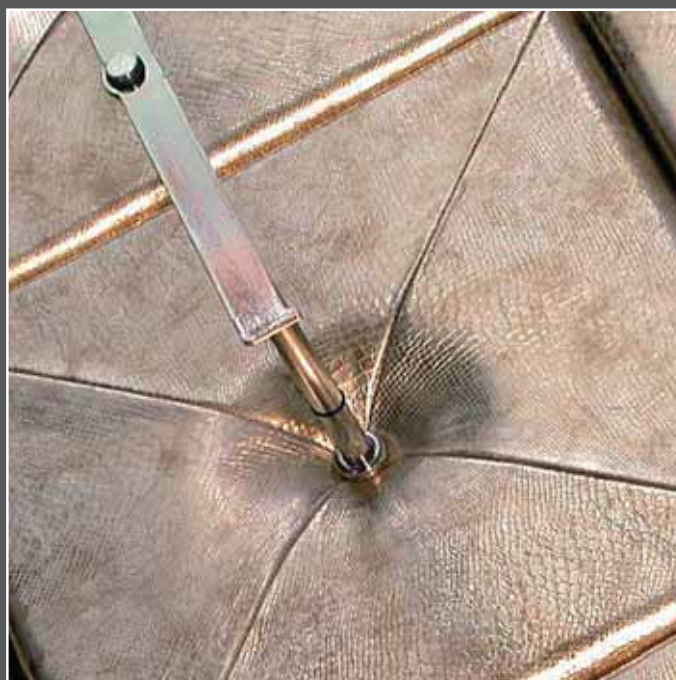
Bjørn Haug AS

Oserødmyra 2
3138 SKALLESTAD
Tlf: 33 29 99 90

www.bjornhaug.no
bjorn@bjornhaug.no

1

LINEAUNO

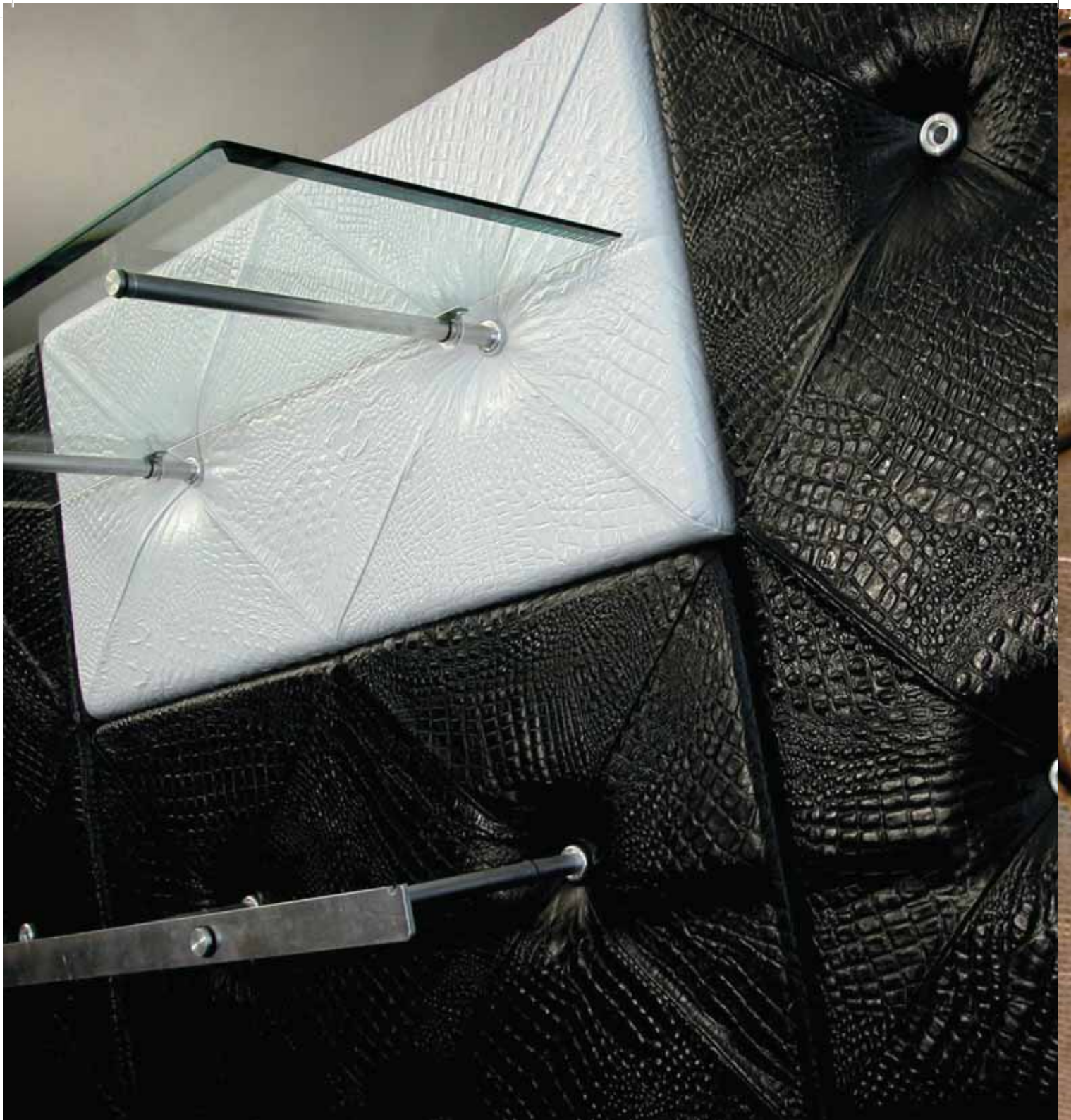


LINEA UNO

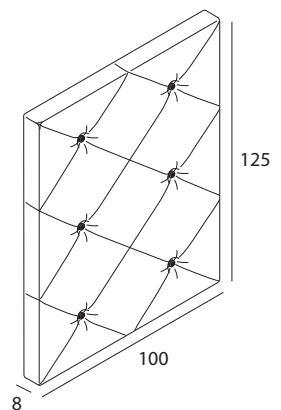
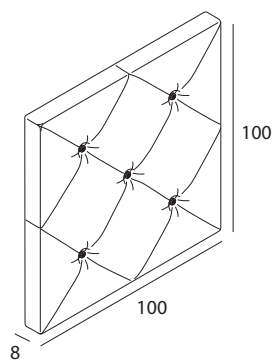
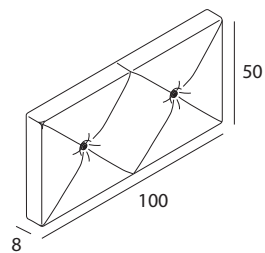
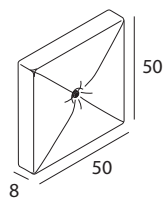
Prestigiosa ed esclusiva linea di arredamento modulare per una clientela molto esigente. Completamente realizzata con selezionati pellami e lavorata a mano da artigiani pellettieri. Accessori in metallo e componenti realizzati in tornitura fanno di questa linea un'autentica opera d'arte.

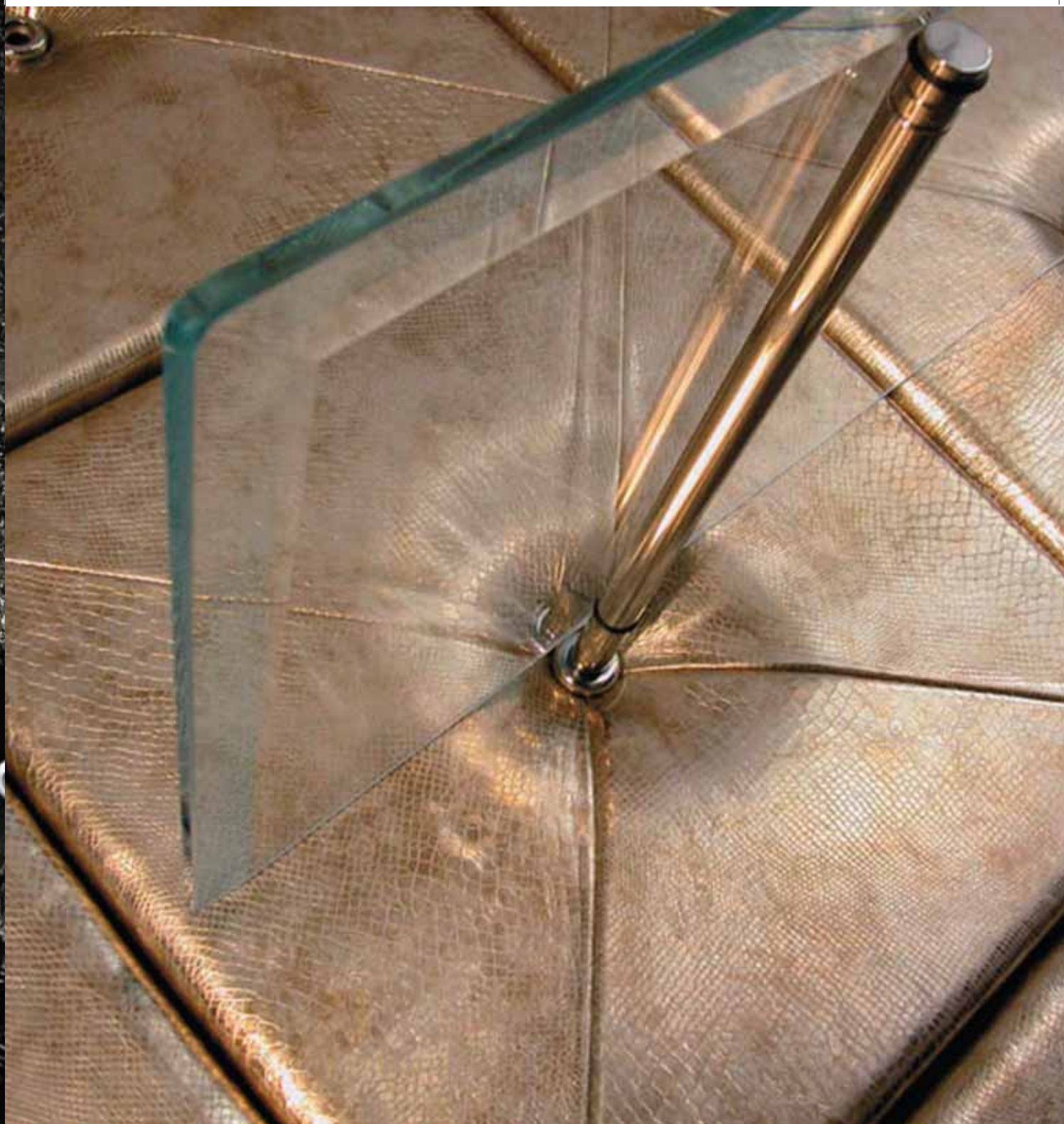
LINE ONE

Prestigious and exclusive modular furnishing solutions for particular customers, handcrafted by skilled leather goods makers with the finest skins. These elements are equipped with metal accessories and turned components which make the collection a masterpiece of art and design.



PANNELLI IMBOTTITI
PADDED PANELS





1PA1/PC

vera pelle stampa coccodrillo
genuine croc printed leather
 L50 x P50 - sp. 8 cm

1PA1/PLC

vera pelle laminata stampa
 coccodrillo
*genuine laminated croc
 printed leather*
 L50 x P50 - sp. 8 cm

1PA1/PLP

vera pelle laminata stampa pitone
*genuine laminated python printed
 leather*
 L50 x P50 - sp. 8 cm

1PA2/PC

vera pelle stampa coccodrillo
genuine croc printed leather
 L100 x P50 - sp. 8 cm

1PA2/PLC

vera pelle laminata stampa
 coccodrillo
*genuine laminated croc
 printed leather*
 L100 x P50 - sp. 8 cm

1PA2/PLP

vera pelle laminata stampa pitone
*genuine laminated python printed
 leather*
 L100 x P50 - sp. 8 cm

1PA3/PC

vera pelle stampa coccodrillo
genuine croc printed leather
 L100 x P100 - sp. 8 cm

1PA3/PLC

vera pelle laminata stampa
 coccodrillo
*genuine laminated croc
 printed leather*
 L100 x P100 - sp. 8 cm

1PA3/PLP

vera pelle laminata stampa pitone
*genuine laminated python printed
 leather*
 L100 x P100 - sp. 8 cm

1PA4/PC

vera pelle stampa coccodrillo
genuine croc printed leather
 L100 x P125 - sp. 8 cm

1PA4/PLC

vera pelle laminata stampa
 coccodrillo
*genuine laminated croc
 printed leather*
 L100 x P125 - sp. 8 cm

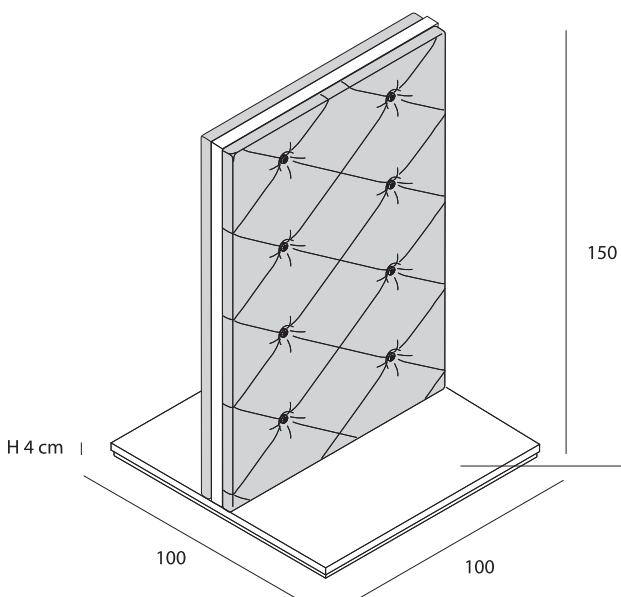
1PA4/PLP

vera pelle laminata stampa pitone
*genuine laminated python printed
 leather*
 L100 x P125 - sp. 8 cm





ISOLA AUTOPORTANTE - PANNELLI IMBOTTITI
FREESTANDING ISLAND - PADDED PANELS



11SO/LPC

vera pelle stampa coccodrillo
 base in nobilitato lucido
genuine croc printed leather
base in glossy faced panel
 L100 x P100 x H150 cm

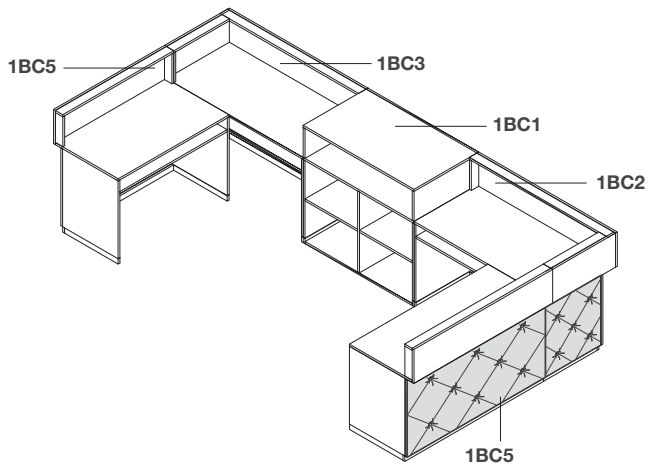
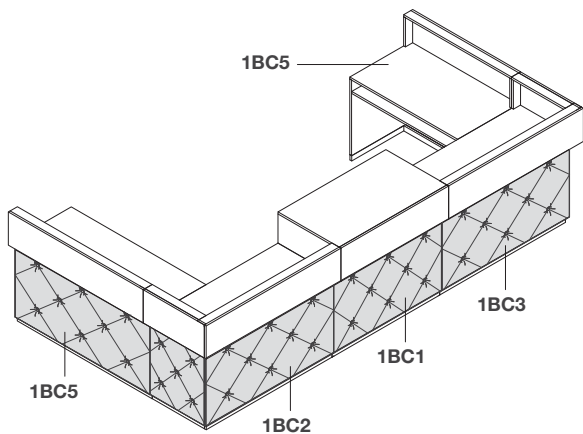
11SO/LPLC

vera pelle laminata stampa coccodrillo
 base in nobilitato lucido
genuine laminated croc printed leather
base in glossy faced panel
 L100 x P100 x H150 cm

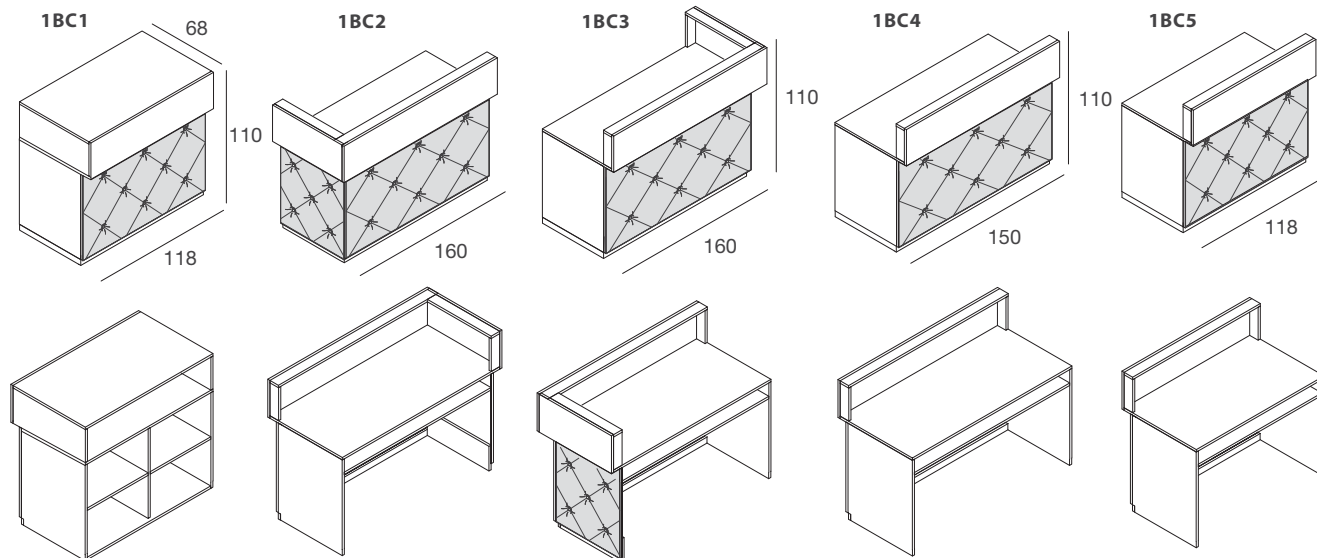
11SO/LPLP

vera pelle laminata stampa pitone
 base in nobilitato lucido
genuine laminated python printed leather
base in glossy faced panel
 L100 x P100 x H150 cm

base in nobilitato lucido
base in glossy faced panel



BANCHI CASSA - FRONTALE IMBOTTITO
CASH COUNTERS - PADDED FRONT



1BC1/LPC
 nobilitato lucido
 vera pelle stampa coccodrillo
glossy faced panel
genuine croc printed leather
 L118 x P68 x H110 cm

1BC2/LPC
 nobilitato lucido
 vera pelle stampa coccodrillo
glossy faced panel
genuine croc printed leather
 L160 x P68 x H110 cm

1BC3/LPC
 nobilitato lucido
 vera pelle stampa coccodrillo
glossy faced panel
genuine croc printed leather
 L160 x P68 x H110 cm

1BC4/LPC
 nobilitato lucido
 vera pelle stampa coccodrillo
glossy faced panel
genuine croc printed leather
 L150 x P68 x H110 cm

1BC5/LPC
 nobilitato lucido
 vera pelle stampa coccodrillo
glossy faced panel
genuine croc printed leather
 L118 x P68 x H110 cm

1BC1/LPLC
 nobilitato lucido
 vera pelle laminata
 stampa coccodrillo
glossy faced panel
genuine laminated croc
printed leather
 L118 x P68 x H110 cm

1BC2/LPLC
 nobilitato lucido
 vera pelle laminata
 stampa coccodrillo
glossy faced panel
genuine laminated croc
printed leather
 L160 x P68 x H110 cm

1BC3/LPLC
 nobilitato lucido
 vera pelle laminata
 stampa coccodrillo
glossy faced panel
genuine laminated croc
printed leather
 L160 x P68 x H110 cm

1BC4/LPLC
 nobilitato lucido
 vera pelle laminata
 stampa coccodrillo
glossy faced panel
genuine laminated croc
printed leather
 L150 x P68 x H110 cm

1BC5/LPLC
 nobilitato lucido
 vera pelle laminata
 stampa coccodrillo
glossy faced panel
genuine laminated croc
printed leather
 L118 x P68 x H110 cm

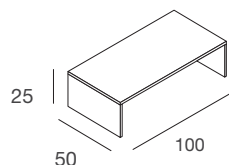
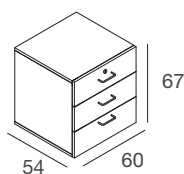
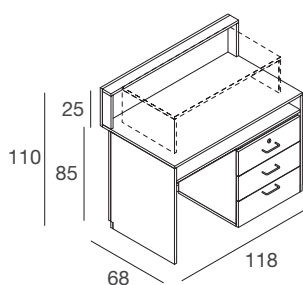
1BC1/LPLP
 nobilitato lucido
 vera pelle laminata stampa pitone
glossy faced panel
genuine laminated python
printed leather
 L118 x P68 x H110 cm

1BC2/LPLP
 nobilitato lucido
 vera pelle laminata stampa pitone
glossy faced panel
genuine laminated python
printed leather
 L160 x P68 x H110 cm

1BC3/LPLP
 nobilitato lucido
 vera pelle laminata stampa pitone
glossy faced panel
genuine laminated python
printed leather
 L160 x P68 x H110 cm

1BC4/LPLP
 nobilitato lucido
 vera pelle laminata stampa pitone
glossy faced panel
genuine laminated python
printed leather
 L150 x P68 x H110 cm

1BC5/LPLP
 nobilitato lucido
 vera pelle laminata stampa pitone
glossy faced panel
genuine laminated python
printed leather
 L118 x P68 x H110 cm

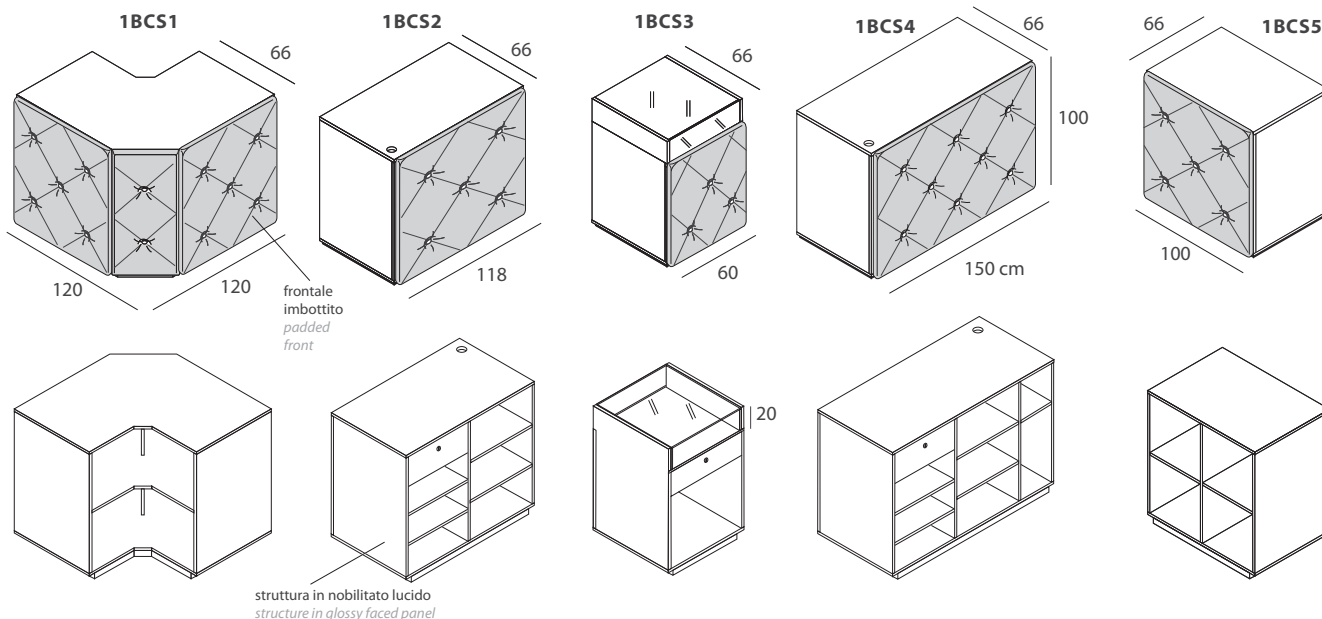


1CAS/L
 cassettera
 nobilitato lucido
chest of drawers
glossy faced panel
 L60 x P54 x H67 cm

1PR/L
 piano rialzato
 nobilitato lucido
raised surface
glossy faced panel
 L100 x P50 x H25 cm



BANCHI CASSA - FRONTALE IMBOTTITO
CASH COUNTERS - PADDED FRONT



1BCS1/LPC
 nobilitato lucido
 vera pelle stampa coccodrillo
*glossy faced panel
 genuine croc printed leather*
 L120 x P120 x H100 cm

1BCS2/LPC
 nobilitato lucido
 vera pelle stampa coccodrillo
*glossy faced panel
 genuine croc printed leather*
 L118 x P66 x H100 cm

1BCS3/LPC
 nobilitato lucido
 vera pelle stampa coccodrillo
*glossy faced panel
 genuine croc printed leather*
 L60 x P66 x H100 cm

1BCS4/LPC
 nobilitato lucido
 vera pelle stampa coccodrillo
*glossy faced panel
 genuine croc printed leather*
 L150 x P66 x H100 cm

1BCS5/LPC
 nobilitato lucido
 vera pelle stampa coccodrillo
*glossy faced panel
 genuine croc printed leather*
 L100 x P66 x H100 cm

1BCS1/LPLC
 nobilitato lucido
 vera pelle laminata
 stampa coccodrillo
*glossy faced panel
 genuine laminated croc
 printed leather*
 L120 x P120 x H100 cm

1BCS2/LPLC
 nobilitato lucido
 vera pelle laminata
 stampa coccodrillo
*glossy faced panel
 genuine laminated croc
 printed leather*
 L118 x P66 x H100 cm

1BCS3/LPLC
 nobilitato lucido
 vera pelle laminata
 stampa coccodrillo
*glossy faced panel
 genuine laminated croc
 printed leather*
 L60 x P66 x H100 cm

1BCS4/LPLC
 nobilitato lucido
 vera pelle laminata
 stampa coccodrillo
*glossy faced panel
 genuine laminated croc
 printed leather*
 L150 x P66 x H100 cm

1BCS5/LPLC
 nobilitato lucido
 vera pelle laminata
 stampa coccodrillo
*glossy faced panel
 genuine laminated croc
 printed leather*
 L100 x P66 x H100 cm

1BCS1/LPLP
 nobilitato lucido
 vera pelle laminata stampa pitone
 angolo con ripiani
*glossy faced panel
 genuine laminated python
 printed leather*
 angle with shelves
 L120 x P120 x H100 cm

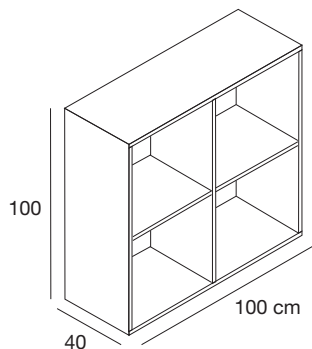
1BCS2/LPLP
 nobilitato lucido
 vera pelle laminata stampa pitone
 con cassetto e ripiani
*glossy faced panel
 genuine laminated python
 printed leather*
 with drawer and shelves
 L118 x P66 x H100 cm

1BCS3/LPLP
 nobilitato lucido
 vera pelle laminata stampa pitone
 con teca in vetro temperato
 e cassetto
*glossy faced panel
 genuine laminated python
 printed leather*
 with tempered glass showcase
 and drawer
 L60 x P66 x H100 cm

1BCS4/LPLP
 nobilitato lucido
 vera pelle laminata stampa pitone
*glossy faced panel
 genuine laminated python
 printed leather*
 L150 x P66 x H100 cm

1BCS5/LPLP
 nobilitato lucido
 vera pelle laminata stampa pitone
*glossy faced panel
 genuine laminated python
 printed leather*
 L100 x P66 x H100 cm

MODULO RETRO CASSA
BACK-CASH MODULE

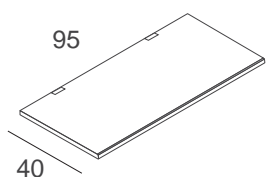


1RC/NL
 nobilitato lucido
 vera pelle
glossy faced panel
 L100 x P40 x H100 cm

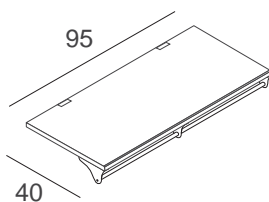


ACCESSORI - ACCESSORIES

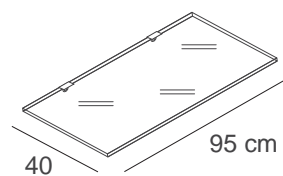
mensole - shelves



1ME/L
mensola
nobilitato lucido
shelf
glossy faced panel
L95 x P40 cm - sp. 18 mm



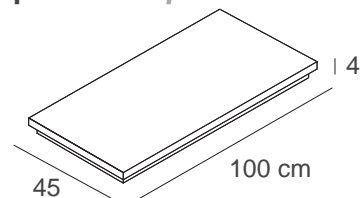
1MEA/L
mensola con barra appenderia
nobilitato lucido
shelf with crossbar
glossy faced panel
L95 x P40 cm - sp. 18 mm



1ME/V
mensola
vetro temperato
shelf
tempered glass
L95 x P40 cm - sp. 6 mm

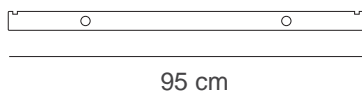


pedana - platform



1PED/L
pedana
nobilitato lucido
rialzata con zoccolo
platform
glossy faced panel
raised with baseboard
L100 x P45 x H4 cm

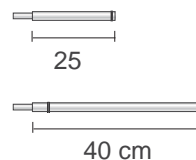
barra appenderia - crossbar



1BAP
barra appenderia
metallo
crossbar
metal
L100 x H3,5 cm



perni - pins

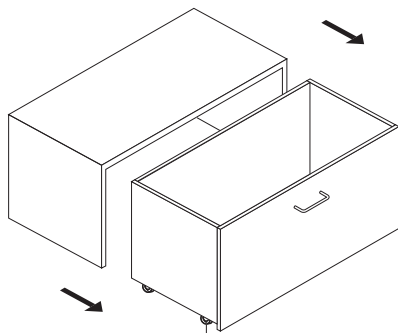
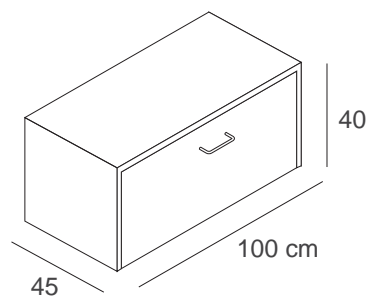


1PP
perno app. frontale
alluminio
frontal hanging pin
aluminium
L25 cm Ø 20 mm

1PG
coppia perni
alluminio
per mensola o barra appenderia
pair of supporting pins
aluminium
for shelf or crossbar
L40 cm Ø 20 mm



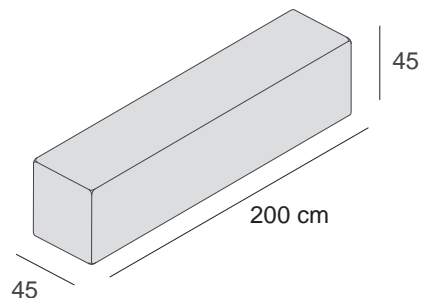
cassettiera - chest of drawers



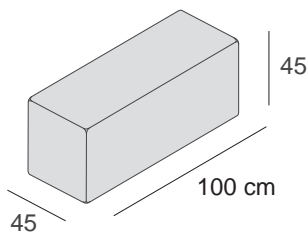
ruote - wheels

1CA/L
cassettiera
nobilitato lucido
chest of drawers
glossy faced panel
L100 x P45 x H40 cm

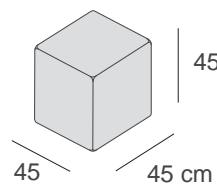
pouf imbottiti - padded pouf



1POU1/PC pouf
vera pelle stampa coccodrillo
genuine croc printed leather
L200 x P45 x H45 cm



1POU2/PC pouf
vera pelle stampa coccodrillo
genuine croc printed leather
L100 x P45 x H45 cm



1POU3/PC pouf
vera pelle stampa coccodrillo
genuine croc printed leather
L45 x P45 x H45 cm

CARTELLA COLORI - COLOUR CARD

VERA PELLE STAMPA COCCODRILLO - GENUINE CROC PRINTED LEATHER



NERO
BLACK



TESTA DI MORO
DARK BROWN



VIOLA
VIOLET



BIANCO
WHITE

VERA PELLE LAMINATA STAMPA COCCODRILLO - GENUINE LAMINATED CROC PRINTED LEATHER



BRONZO
BRONZE

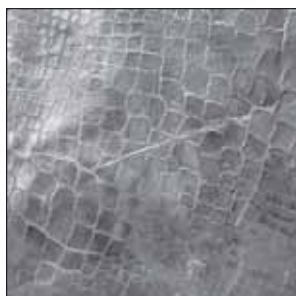


ORO
GOLD



GRIGIO SILVER
SILVER GREY

VERA PELLE LAMINATA STAMPA PITONE - GENUINE LAMINATED PYTHON PRINTED LEATHER



GRIGIO SILVER
SILVER GREY



BRONZO
BRONZE



ORO
GOLD

NOBILITATO LUCIDO - GLOSSY FACED PANEL



BIANCO
WHITE



NERO
BLACK

VETRO - GLASS





CONDIZIONI GENERALI DI VENDITA

- La merce viene controllata prima della spedizione. Il vettore è il solo responsabile di eventuali danni. Spetta al cliente controllare la merce all'atto del ritiro e contestare subito al vettore le eventuali avarie e mancanze. Reclami non relativi al trasporto devono essere presentati entro 8 giorni dalla data di ricevimento della merce. Dopo tale termine la merce si intende integralmente accettata.
- La Brugnotto shop interiors si riserva di apportare variazioni tecniche, dimensionali, estetiche a materiali e prodotti.
- Non verranno accettati resi di merce se non preventivamente autorizzati per iscritto da Brugnotto shop interiors. Il reso sarà sempre spedito alla nostra sede franco ogni spesa e adeguatamente imballato nella scatola originale. Imballaggi inadeguati che comportino danni all'articolo, autorizzeranno Brugnotto shop interiors ad addebitare il costo.
- Per qualsiasi controversia il Foro competente sarà quello di Treviso.

GENERAL TERMS OF SALE

- The goods are checked before any shipment. The carrier is the one responsible for any damage. It's up to the customer to check the goods upon collection and contest immediately the carrier for any lacking or damage.
- Brugnotto shop interiors reserves the right to bring any technical, size and aesthetical modifications to the products.
- Returned good will not be accepted unless previously authorized by Brugnotto shop interiors in writing by written letter. Returned goods must always be sent to our main offices free of all charges and properly packaged in their original box. Improper boxing, resulting in damage to the item, will authorize Brugnotto shop interiors to charge its cost. The purchaser, under no circumstances, will have a claim on any type of compensation. Penalties may be taken into consideration only upon previous written agreements.
- Any dispute will be resolved at the place of jurisdiction of Treviso (Italy).

BRUGNOTTO SHOP INTERIORS produce sistemi di arredi modulari per negozi e spazi espositivi.

L'azienda è stata fondata nel 1980 e ha sede nel nord est d'Italia, a 40 km dalla città di Venezia.

Nei suoi stabilimenti di 18.000 mq, sono presenti le più moderne tecnologie produttive ed operano abili professionisti e designers con grande esperienza nel fashion retail design.

BRUGNOTTO SHOP INTERIORS offre soluzioni di arredo innovativo per nuovi spazi commerciali, grazie anche alla capacità di abbinare più materiali, quali vere pelli selezionate, ecopelle stampata e verniciata, metalli e legni con particolari finiture.

Tutti questi materiali vengono lavorati all'interno dell'azienda con cura e sapienza artigianale rendendo BRUGNOTTO SHOP INTERIORS una realtà unica ed esclusiva.

BRUGNOTTO SHOP INTERIORS produces modular pieces of furniture for shops and show spaces.

The company was founded in 1980 with its headquarters in northeastern Italy, 40 kilometres from Venice.

Its headquarters is comprised of 18,000 square metres where the most up-to-date production technology is used by designers and professionals who have a vast experience in modern retail design.

BRUGNOTTO SHOP INTERIORS is able to find innovative furnishing solutions for new commercial spaces thanks to the ability of using different materials, such as carefully chosen genuine leather, printed and varnished eco-leather, various different metals and types of wood with particular finishes.

All these specified materials are used within the company using great care and specialist knowledge making BRUGNOTTO SHOP INTERIORS completely unique and exclusive.

